



PY32F040 Datasheet

32-bit ARM[®] Cortex[®]-M0+ Microcontroller



Puya Semiconductor (Shanghai) Co., Ltd.



Features

- Core
 - ARM® 32-bit Cortex®-M0+ CPU
 - Frequency up to 72 MHz
- Memories
 - Maximum 128 KB Flash memory
 - Maximum 16 KB SRAM
- Clock management
 - 4/8/16/22.12/24 MHz High-speed internal RC oscillator (HSI)
 - 32.768 kHz Low-speed internal RC oscillator (LSI)
 - 4 to 32 MHz High-speed external crystal oscillator (HSE)
 - 32.768 kHz Low-speed external crystal oscillator (LSE)
 - PLL (supports 2/3 multiplication of HSI or HSE)
- Power management and reset
 - Operating voltage: 1.7 ~ 5.5 V
 - Low power modes : Sleep and Stop
 - Power-on/power-down reset (POR/PDR)
 - Brown-out reset (BOR)
 - Programmable voltage detector (PVD)
- General-purpose input and output (I/O)
 - Up to 58 I/Os, all available as external interrupts
- 7-channel DMA controller
- 1 x 12-bit ADC
 - Up to 16 external channels
 - Conversion range: 0 to V_{REF+}
- 2 x analog comparators
- 2-channel operational amplifier
- Support 8 * 36 / 4 * 40 LCD
- 13 timers
 - 1 x 16-bit advanced-control timer (TIM1)
 - 1 x 32-bit general-purpose timer (TIM2)
 - 5 x 16-bit general-purpose timers (TIM3/14/15/16/17)
 - 2 x basic timers (TIM6/TIM7)
 - 1 x low power timer (LPTIM)
 - 1 x independent watchdog timer (IWDG)
 - 1 x window watchdog timer (WWDG)
 - 1 x SysTick timer
- RTC
- Communication interfaces
 - 2 x serial peripheral interfaces (SPIs) with I²S function
 - 4 x universal synchronous/asynchronous Transceivers (USARTs), support automatic baud rate detection, two of USARTs support ISO7816, LIN and IrDA
 - 2 x I²C interfaces supporting standard mode (100 kHz), Fast mode (400 kHz), 7-bit/10-bit addressing mode and SMBus
- Hardware CRC-32 module
- Hardware 32-bit divider (DIV)
- Unique UID
- Serial wire debug (SWD)
- Operating temperature: - 40 ~ 85 °C, - 40 ~ 105 °C
- Packages: LQFP64(12*12), LQFP64(10*10), LQFP48, QFN48, QFN32(5*5), QFN32(4*4)

Content

Features	2
1. Introduction.....	6
2. Functional overview	10
2.1. Arm®-Cortex®-M0+ core	10
2.2. Memories	10
2.3. Boot modes	10
2.4. Clock system.....	11
2.5. Power management.....	13
2.5.1. Power block diagram	13
2.5.2. Power monitoring.....	13
2.5.3. Voltage regulator	15
2.5.4. Low-power mode.....	15
2.6. Reset.....	15
2.6.1. Power reset	15
2.6.2. System reset.....	16
2.7. General-purpose inputs and outputs (GPIOs)	16
2.8. Direct memory access controller (DMA)	16
2.9. Interrupts and events	17
2.9.1. Nested vectored interrupt controller (NVIC)	17
2.9.2. Extended interrupt/event controller (EXTI).....	17
2.10. Analog-to-digital converter (ADC)	18
2.11. Comparators (COMP)	18
2.12. Operational amplifier (OPA)	19
2.13. Liquid crystal display (LCD) controller.....	19
2.14. Hardware divider (DIV).....	19
2.15. Timers	20
2.15.1. Advanced-control timer (TIM1).....	20
2.15.2. General-purpose timers.....	21
2.15.3. Basic timers (TIM6/TIM7)	22
2.15.4. Low power timer (LPTIM)	22
2.15.5. Independent watchdog (IWDG).....	22
2.15.6. System window watchdog (WWDG)	22
2.15.7. SysTick timer	22
2.16. Real-time clock (RTC).....	23
2.17. Cyclic redundancy check unit (CRC)	23
2.18. Clock trimming controller (CTC).....	23
2.19. System configuration controller (SYSCFG)	23
2.20. Debug support (DBG)	24

2.21.	Inter-integrated circuit interface (I ² C)	24
2.22.	Universal synchronous/asynchronous receiver transmitter (USART).....	25
2.23.	Serial peripheral interface (SPI)	26
2.24.	Serial wire debug (SWD).....	27
3.	Pinouts and pin descriptions	28
3.1.	Alternate functions selected through GPIOA_AFR registers for port A	48
3.2.	Alternate functions selected through GPIOB_AFR registers for port B	49
3.3.	Alternate functions selected through GPIOC_AFR registers for port C.....	50
3.4.	Alternate functions selected through GPIOF_AFR registers for port F	51
4.	Memory mapping	52
5.	Electrical characteristics	56
5.1.	Parameter conditions	56
5.1.1.	Minimum and maximum values	56
5.1.2.	Typical values.....	56
5.1.3.	Power supply scheme	56
5.2.	Absolute maximum ratings.....	57
5.3.	Operating conditions	57
5.3.1.	General operating conditions	57
5.3.2.	Operating conditions at power-up / power-down.....	58
5.3.3.	Embedded reset and PVD module characteristics.....	58
5.3.4.	Supply current characteristics	59
5.3.5.	Wakeup time from low-power mode.....	61
5.3.6.	External clock source characteristics	62
5.3.7.	High-speed internal (HSI) RC oscillator	65
5.3.8.	Low-speed internal (LSI) RC oscillator	66
5.3.9.	Phase locked loop (PLL) characteristics	66
5.3.10.	Memory characteristics	66
5.3.11.	EFT characteristics.....	67
5.3.12.	ESD & LU characteristics	67
5.3.13.	I/O port characteristics	67
5.3.14.	ADC characteristics	68
5.3.15.	Comparator characteristics	70
5.3.16.	Operational amplifier characteristics	71
5.3.17.	Temperature sensor characteristics	71
5.3.18.	LCD Controller Characteristics.....	72
5.3.19.	Embedded voltage reference characteristics	72
5.3.20.	ADC voltage reference buffer characteristics.....	73
5.3.21.	Timer characteristics	73
5.3.22.	Communication interfaces.....	74
6.	Package information	79

6.1.	LQFP64 (12*12) package size.....	79
6.2.	LQFP64 (10*10) package size.....	80
6.3.	LQFP48 package size.....	81
6.4.	QFN48 package size.....	82
6.5.	QFN32 (5*5) package size.....	83
6.6.	QFN32 (4*4) package size.....	84
7.	Ordering information.....	85
8.	Version history.....	86

Puya Confidential

1. Introduction

The PY32F040 microcontrollers incorporate the high-performance ARM® 32-bit Cortex®-M0+ core operating at up to 72 MHz frequency, embedded memories with up to 128 KB Flash and 16 KB SRAM, and contains various products in different package types. The chip integrates multi-channel I²C, SPI, USART and other communication peripherals, one 12-bit ADC, 13 timers, two comparators, two operational amplifiers, and one LCD driver.

The PY32F040 microcontrollers operate in the temperature range from -40 to 85 °C or -40 to 105 °C, and the operating voltage range is 1.7 ~ 5.5 V. Two low-power operating modes, namely Sleep mode and Stop mode are provided, which can meet different low-power applications.

These features make the PY32F040 microcontrollers suitable for a wide range of applications such as controllers, portable devices, PC peripherals, gaming and GPS platforms, industrial applications.

Puya Confidential

Table 1-1 PY32F040x6 series device features and peripheral counts

Peripherals		PY32F040R1B T6	PY32F040R2B T6	PY32F040C1B T6	PY32F040C18T 6	PY32F040C16T 6	PY32F040C1B U6	PY32F040K1B U6	PY32F040K2B U6
Flash (KB)		128	128	128	64	32	128	128	128
SRAM (KB)		16	16	16	8	4	16	16	16
Timers	Advanced	1 (16-bit)							
	General pupose	5 (16-bit)							
		1(32-bit)							
	Basic	2							
	Low power	1							
	SysTick	1							
	Watchdog	2							
Comm. interfaces	SPI[I ² S]	2[2]							
	I ² C	2							
	USART	4							
DMA		7ch							
RTC		Yes							
GPIOs		58			42		42		28
12-bit ADC (external + internal)		1 (16 + 5)			1 (10 + 5)		1 (10 + 5)		1 (10 + 5)
Comparators		2							
OPA		2							
LCD		1							
Max. CPU frequency		72 MHz							
Operating Voltage		1.7 ~ 5.5 V							
Operating Temperature		- 40 ~ 85 °C							
Packages		LQFP64(10*10)	LQFP64(12*12)		LQFP48		QFN48	QFN32 (5*5)	QFN32(4*4)

Table 1-2 PY32F040x7 series device features and peripheral counts

Peripherals		PY32F040C1BT7
Flash (KB)		128
SRAM (KB)		16
Timers	Advanced	1 (16-bit)
	General pupose	5 (16-bit)
		1(32-bit)
	Basic	2
	Low power	1
	SysTick	1
Watchdog	2	
Comm. interfaces	SPI[I ² S]	2[2]
	I ² C	2
	USART	4
DMA		7ch
RTC		Yes
GPIOs		42
12-bit ADC (external + internal)		1 (10 + 5)
Comparators		2
OPA		2
LCD		1
Max. CPU frequency		72 MHz
Operating Voltage		1.7 ~ 5.5 V
Operating Temperature		- 40 ~ 105 °C
Packages		LQFP48

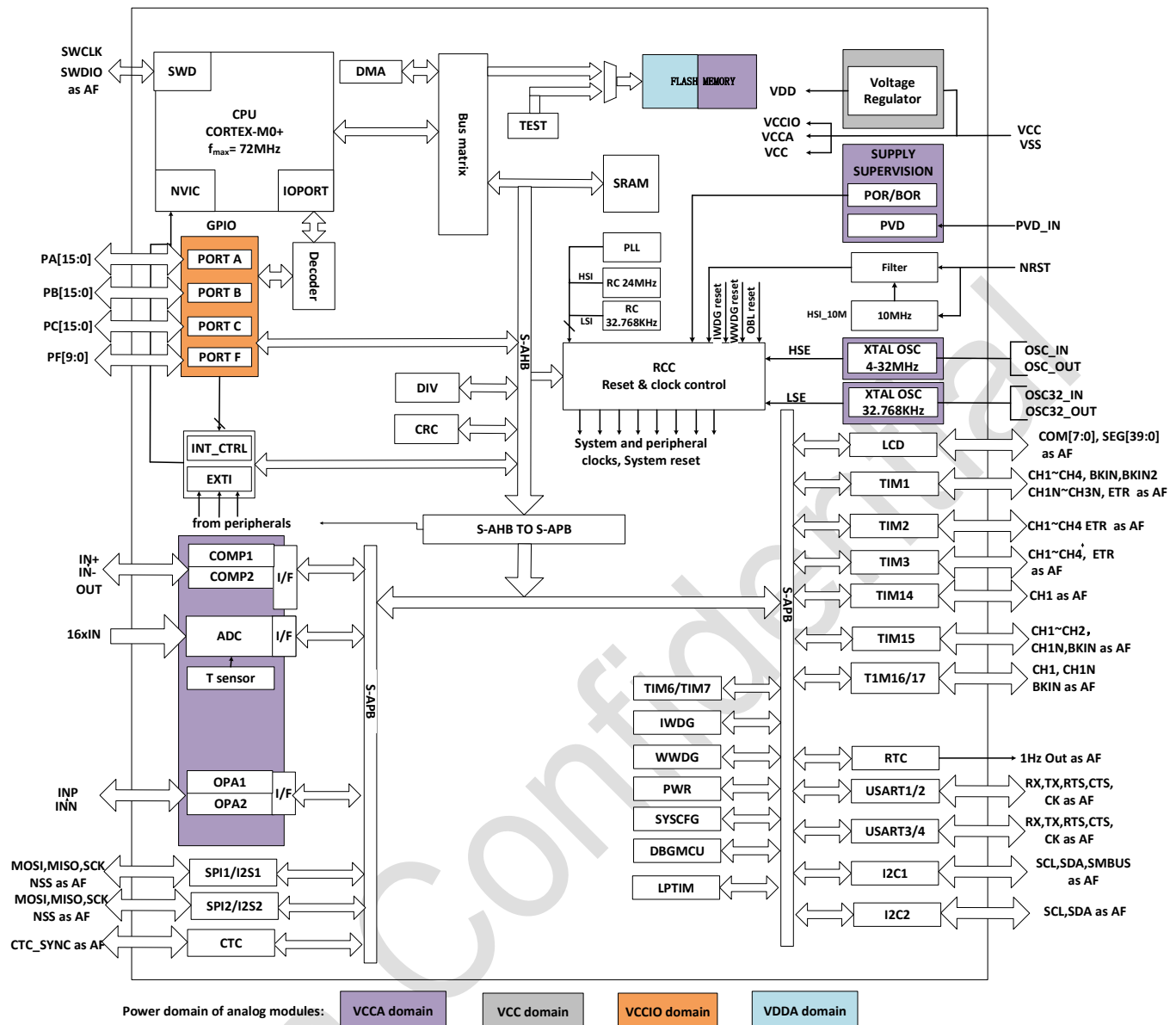


Figure 1-1 System block diagram

2. Functional overview

2.1. Arm[®]-Cortex[®]-M0+ core

The Arm[®] Cortex[®] -M0+ is an entry-level Arm 32-bit Cortex processor designed for embedded applications. It provides developers with significant benefits, including:

- Simple structure, easy to learn and program
- Ultra-low power consumption, energy-saving operation
- Reduced code density and more

The Arm[®] Cortex-M0+ processor is a 32-bit core optimized for area and power consumption and is a 2-stage pipeline Von Neumann architecture. The processor offers high-end processing hardware, including single-cycle multipliers, through a streamlined but powerful instruction set and an extensively optimized design. Moreover, it delivers the superior performance expected from a 32-bit architecture computer, with a higher coding density than other 8 and 16-bit microcontrollers.

The Cortex-M0+ is tightly coupled with a Nested Vectored Interrupt Controller (NVIC).

2.2. Memories

16 KB of embedded SRAM accessed by Bytes (8 bits), Half-word (16 bits) or Word (32 bits).

The non-volatile memory is divided into two arrays:

- 128 KB of Main flash area for programs and data
- 14 KB of Information area:
 - FT info0 bytes
 - Option bytes
 - UID bytes
 - System memory

The protection of Main flash area includes the following mechanisms:

- Read protection (RDP) prevents outside access.
- Write protection (WRP) prevents unwanted write operation (caused by confusion of program memory pointer from PC). The minimum protection unit for write protection is 8 KB.
- Option byte write protection is a special design for unlock.

2.3. Boot modes

At startup, the BOOT0 pin and boot selector option bit nBOOT are used to select one of the three boot options in the following table:

Table 2-1 Boot configuration

Boot mode configuration		Mode
nBOOT1 bit	BOOT0 pin	
X	0	Boot from Main flash
1	1	Boot from System memory
0	1	Boot from SRAM

The Boot loader is located in the system memory and is used to reprogram the Flash memory by using USART interface.

2.4. Clock system

System clock selection is performed on startup, however the internal RC 8 MHz oscillator is selected as default CPU clock on reset. After the program is operating, the system clock frequency and system clock source can be reconfigured. The frequency clocks that can be selected are:

- A 4/8/16/22.12/24 MHz configurable internal high precision HSI clock
- A 32.768 kHz configurable internal LSI clock
- A 4 to 32 MHz HSE clock, and used to enable the CSS function to detect HSE. If CSS fails, the hardware will automatically convert the system clock to HSI, and software configures the HSI frequency. Simultaneously, CPU NMI interrupt is generated.
- A 32.768 kHz LSE clock.
- PLL clock has HSI and HSE sources. If the HSE source is selected, when CSS is enabled and CSS fails, the PLL and HSE will be turned off, and the hardware selects the system clock source as HSI.

The AHB clock can be divided based on the system clock, and the APB clock can be divided based on the AHB clock. The maximum frequency of the AHB and the APB domains is 72 MHz.

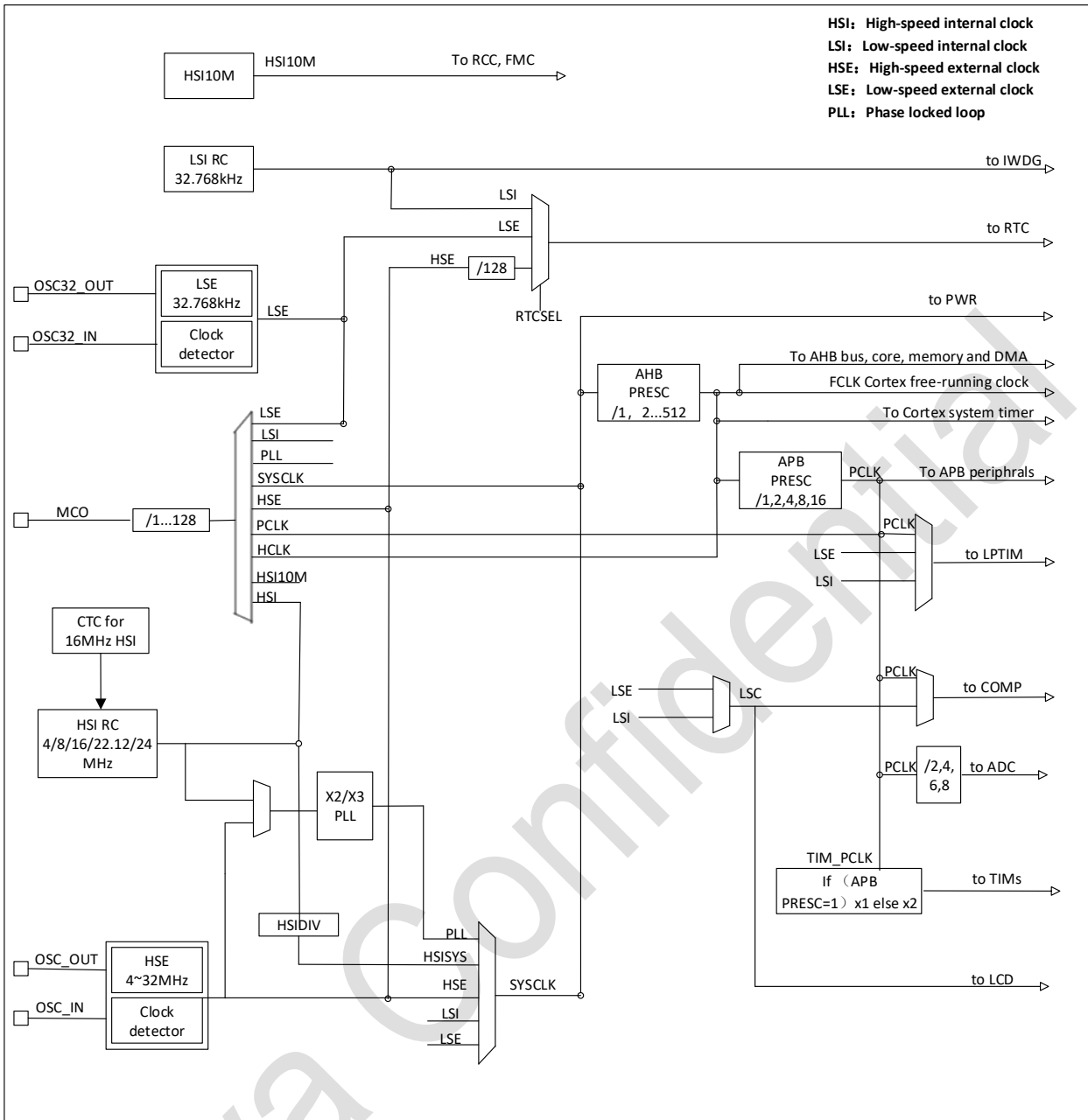


Figure 2-1 System clock structure diagram

2.5. Power management

2.5.1. Power block diagram

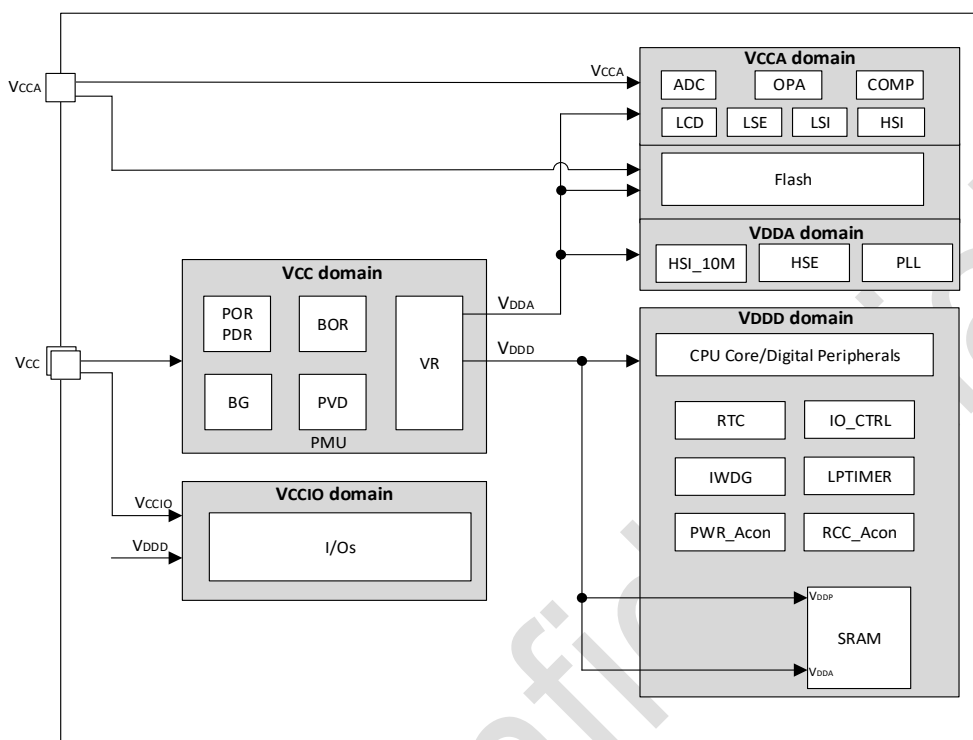


Figure 2-2 Power block diagram

Table 2-2 Power block diagram

No.	Power supply	Power value	Descriptions
1	V _{CC}	1.7 to 5.5 V	External power supply for I/Os and the internal regulator. It is provided externally through V _{CC} pins.
2	V _{CCA}	1.7 to 5.5 V	External analog power supply for ADC, COMP, OPA, LCD, RCs and PLL. It is provided externally through V _{CCA} pins..
3	V _{DDx} (V _{DDD} /V _{DDA})	1.2 V/1.0 V/0.9 V/0.8 V	VR supplies power to the main logic circuits and SRAM inside the chip. When the MR is powered, it outputs 1.2 V. According to the software configuration, when entering the Stop mode it powered by MR or LPR, and the LPR output is determined to be 1.2 V/1.0 V/0.9 V/0.8 V.

2.5.2. Power monitoring

2.5.2.1. Power on reset (POR/PDR)

The power-on reset (POR) and power-down reset (PDR) module is designed in the chip to provide power-on and power-off reset for the chip. The module keeps working in all modes.

2.5.2.2. Brown-out reset (BOR)

In addition to POR/ PDR, BOR (Brown-out reset) is also implemented. BOR can only be enabled and disabled through the option byte.

When the BOR is turned on, the BOR threshold can be selected by the option byte and both the rising and falling detection points can be individually configured.

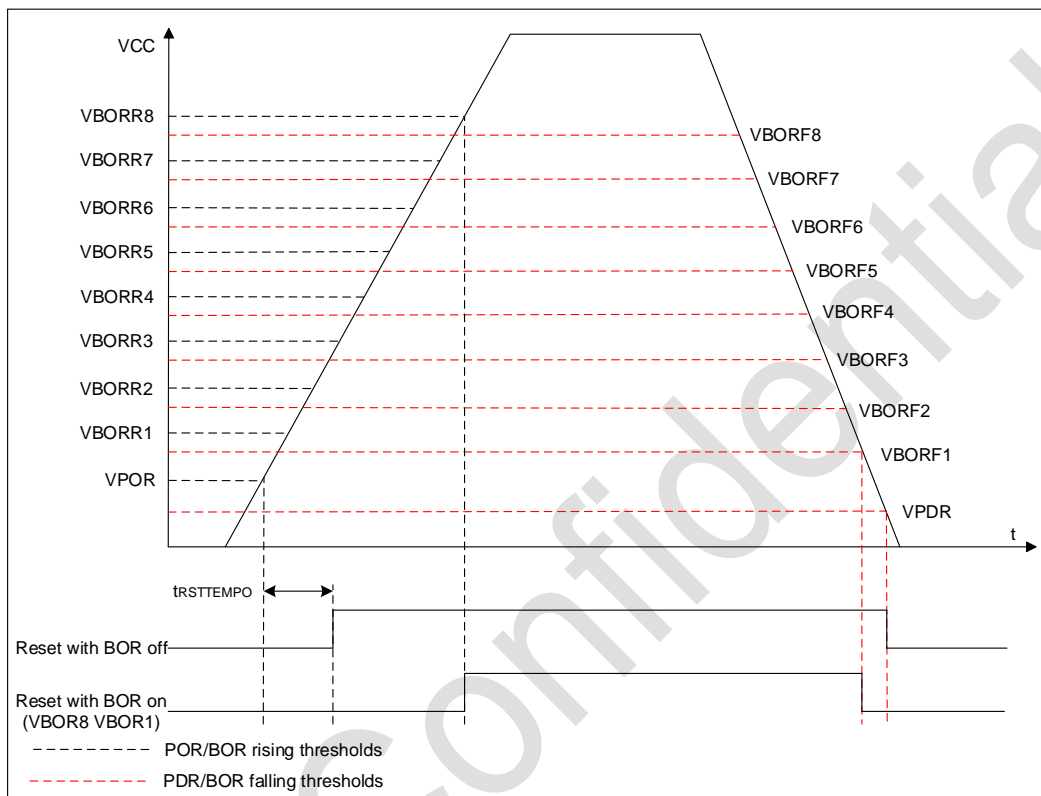


Figure 2-3 POR/PDR/BOR threshold

2.5.2.3. Programmable voltage detector (PVD)

Programmable voltage detector (PVD) module can be used to detect the V_{CC} power supply and the voltage of the PB7 pin, and the detection point is configured through the register. When V_{CC} is higher or lower than the detection point of PVD, the corresponding reset flag is generated.

This event is internally connected to line 16 of EXTI, depending on the rising/falling edge configuration of EXTI line 16, when V_{CC} rises above the detection point of PVD, or V_{CC} falls below the detection point of PVD, an interrupt is generated. In the service program, users can perform urgent shutdown tasks.

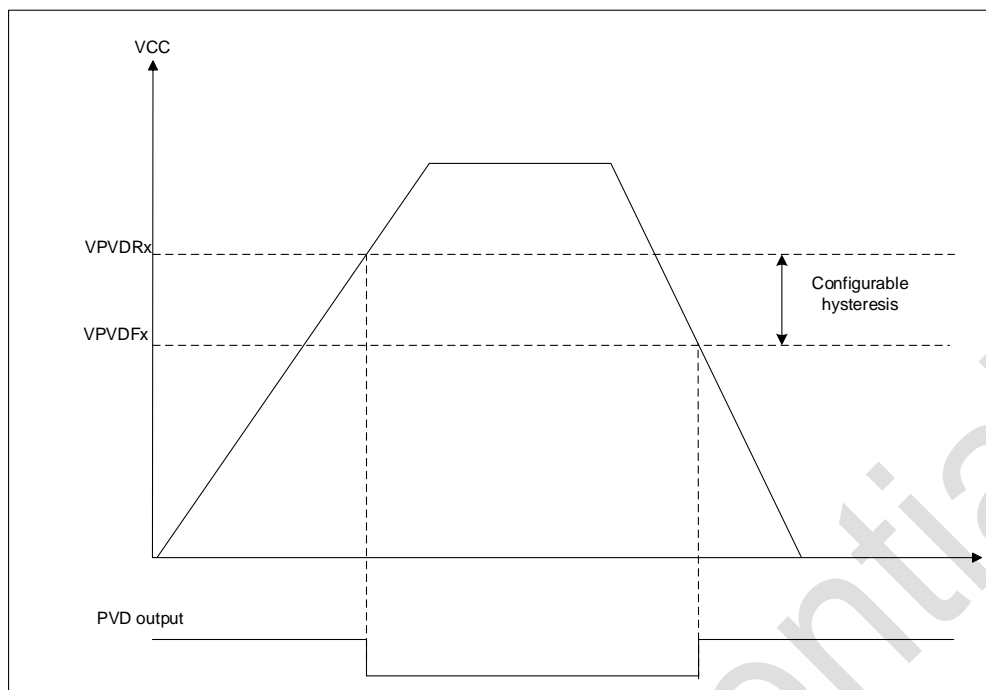


Figure 2-4 PVD threshold

2.5.3. Voltage regulator

The regulator has two operating modes:

- Main regulator (MR) is used in normal operating mode(Run).
- Low power regulator (LPR) can be used in Stop mode where the power demand is reduced.

2.5.4. Low-power mode

In addition to the normal operating mode, the chip has 2 low-power modes:

- Sleep mode: Peripherals can be configured to keep working when the CPU clock is off (NVIC, SysTick, etc.). It is recommended only to enable the modules that must work, and close the module after the module works.
- Stop mode: In this mode, the contents of SRAM and registers are maintained, HSI and HSE are turned off, and most modules of clocks in the V_{DD} domain are stopped. GPIO, PVD, COMP output, RTC and LPTIM can wake up Stop mode.

2.6. Reset

Two resets are designed in the chip: power reset and system reset.

2.6.1. Power reset

A power reset occurs in the following situations:

- Power-on/power-down reset (POR/PDR)
- Brown-out Reset (BOR)

2.6.2. System reset

A system reset occurs when the following events occur:

- Reset of NRST pin
- Windowed watchdog reset (WWDG)
- Independent watchdog reset (IWDG)
- SYSRESETREQ software reset
- Option byte load reset (OBL)

2.7. General-purpose inputs and outputs (GPIOs)

Each of the GPIO pins can be configured by software as output (push-pull or open-drain), as input (with or without pull-up or pull-down) or as peripheral alternate function. The I/O configuration can be locked if needed following a specific sequence in order to avoid spurious writing to the I/Os registers.

2.8. Direct memory access controller (DMA)

Direct memory access (DMA) is used to provide a high-speed data transfer between peripherals and memory as well as from memory to memory. Data can be quickly moved by DMA without any CPU actions. This keeps the CPU resources free for other operations.

The DMA controller have 7 channels in total, each one dedicated to manage memory access requests from one or more peripherals. Each controller has an arbiter for handling the priority between DMA requests.

The DMA supports:

- Single AHB Master
- Support peripherals to memory, the memory to the peripherals, memory to memory and peripherals to peripheral data transmission
- On-chip memory devices, such as Flash, an SRAM, AHB and APB peripherals, as the source and target
- All DMA channel can be independent configuration:
 - Each channel is associated either with a DMA request signal from a peripheral or with a software trigger in a memory-to-memory transfer. This configuration is done by software.
 - The priority between requests is programmable by software (4 levels per channel: very high, high, medium, low) and, in equal cases, by hardware (such as a request for channel 1 taking precedence over a request for channel 2).
 - The transfer sizes of the source and destination are independent (byte, half word, word), simulating packing and unpacking. The source and destination addresses must be aligned by data size.
 - Programmable number of data to be transferred: 0 ~ 65535

- Each channel generates an interrupt request. Each interrupt request is caused by one of three DMA events: transfer completion, half-transfer, or transfer error.

2.9. Interrupts and events

The PY32F040 handles exceptions through the Cortex-M0+ processor's embedded a nested vectored interrupt controller (NVIC) and an extended interrupt/event controller (EXTI).

2.9.1. Nested vectored interrupt controller (NVIC)

NVIC is a tightly coupled IP inside the Cortex-M0+ processor. The NVIC can handle NMI (Non-Maskable Interrupts) and maskable external interrupts from outside the processor and Cortex-M0+ internal exceptions. NVIC provides flexible priority management.

The tight coupling of the processor core to the NVIC greatly reduces the delay between an interrupt event and the initiation of the corresponding interrupt service routine (ISR). The ISR vectors are listed in a vector table, stored at a base address of the NVIC. The vector table base address determines the vector address of the ISR to execute, and the ISR is used as the offset composed of serial numbers.

If a higher-priority interrupt event occurs and a lower-priority interrupt event is just waiting to be serviced, the later-arriving higher-priority interrupt event will be serviced first. Another optimization is called tail-chaining. When returning from a higher-priority ISR and then starting a pending lower-priority ISR, unnecessary pushes and pops of processor contexts will be skipped. This reduces latency and improves power efficiency.

NVIC features:

- Low latency interrupt handling
- Level 4 interrupt priority
- Supports one NMI interrupt
- Support 32 maskable external interrupts
- High-priority interrupts can interrupt low-priority interrupt responses
- Support tail-chaining optimization
- Hardware interrupt vector retrieval

2.9.2. Extended interrupt/event controller (EXTI)

EXTI adds flexibility to handle physical wire events and generates wake-up events when the processor wakes up from Stop mode.

The EXTI controller has multiple channels, including a maximum of 16 GPIOs, 1 PVD output, 2 COMP outputs, RTC and LPTIM wake-up signals. GPIO, PVD and COMP can be configured to be triggered by a rising edge, falling edge or double edge. Any GPIO signal can be configured as EXTI0 to 15 channel through the select signal.

- Each EXTI line can be independently masked through registers.
- The EXTI controller can capture pulses shorter than the internal clock period.

- Registers in the EXTI controller latch each event. Even in Stop mode, after the processor wakes up from Stop mode, it can identify the wake-up source or identify the GPIO and event that caused the interrupt.

2.10. Analog-to-digital converter (ADC)

The 12-bit analog-to-digital converter has up to 16 external and 5 internal channels.

The ADC internal voltage reference: V_{REFBUF} (2.14 V, 2.66 V) or the power supply voltage V_{CCA} .

The internal channels are: T_{S_VIN} , V_{REFINT} , $V_{CCA}/3$, OPA 1~2.

- A/D conversion of the various channels can be performed in single, continuous, scan or discontinuous mode. The result of the ADC is stored in a left-aligned or right-aligned 16-bit data register.
- The analog watchdog feature allows the application to detect if the input voltage goes outside the user-defined thresholds.
- An efficient low-power mode is implemented to allow very low consumption at low frequency.
- Analog watchdog for automatic voltage monitoring, generating interrupts and trigger for selected timers

2.11. Comparators (COMP)

The COMP1/2/3 module can be used as a separate module or in combination with timer. Comparators can be used as:

- Triggered by analog signal to wake-up function from low-power mode
- Analog signal conditioning
- Cycle by cycle current control loop when comparators are connected with PWM output from timer.

COMP features are summarized as follows:

- Voltage comparison function is supported. Each comparator has configurable positive or negative input for flexible voltage selection:
 - Multiple I/O pins
 - 64 steps voltage of V_{CCA}/V_{REFBUF}
 - V_{REFINT}
 - Temperature sensor output
 - OPA output
- Programmable speed and power consumption
- Rail to Rail
- Hysteresis function
- The output can be triggered by a connection to the I/O or timer input
- Each COMP has interrupt generation capability and is used to wake up the chip from low power mode (Sleep/Stop) (via EXTI)
- Provides software to configure the digital filtering time to enhance the anti-interference capability of the chip

- Supports the Window Comp function

2.12. Operational amplifier (OPA)

The OPA1/2 module can be flexibly configured and is suitable for simple amplifiers. The two internal OPA can be cascaded using external resistors.

OPA features are summarized as follows:

- Two independently configured operational amps
- OPA input range is 0 to V_{CCA} , output range is 0.1 V to $V_{CCA} - 0.2$ V (demand) to simulate a module, a programmable gain
- Can be configured for the following models
 - General operational mode (general purpose OPA)

2.13. Liquid crystal display (LCD) controller

The LCD controller is a digital controller/driver for monochrome passive liquid crystal displays (LCD), with up to 8 common terminals (COM) and 40 segment terminals (SEG) to drive 160 (4 * 40) or 288 (8 * 36) LCD pixels. The exact number of terminals depends on the device pins described in the data manual. LCD functions are summarized as follows:

- Highly flexible frame rate control
- Support static, 1/2, 1/3, 1/4, 1/6, and 1/8 of a duty ratio
- Support static, 1/2 and 1/3 bias voltage
- Up to 16 registers LCD data RAM
- By software configuration of LCD contrast
- 2 kinds of waveform generation
 - Internal resistance divider, external resistance divider
 - By way of internal resistance of the software configuration partial pressure power consumption, so as to match the capacitance charge needed for the LCD panel
- Support low power consumption modes: LCD controller can be on the Run, Sleep and Stop mode for display
- Configurable frame interrupt
- Support LCD flashing function and multiple flicker frequency configuration
- Unused LCD segments and public pin can be configured to digital or analog functions

2.14. Hardware divider (DIV)

Hardware divider is a 32-bit signed/unsigned integer hardware divider.

DIV features:

- Support 32-bit division
- The data in the register cannot be changed while the current division is not finished

- Configurable signed/unsigned integer division calculation
- 32-bit divisor, 32-bit divisor
- Outputs 32-bit quotient and 32-bit remainder
- Divide-by-zero warning flag bit, end-of-division flag bit
- 8 clock cycles to complete a division operation
- Write the divisor register to trigger the start of the division circuit
- After writing the divisor, when reading the quotient and remainder registers, you need to wait for the completion flag DIV_END
- When the divisor is 0, the result of quotient and remainder is 0

2.15. Timers

Table 2-3 compares the features of the different timers.

Table 2-3 Timer feature comparison

Timer type	Timer	Counter resolution	Counter type	Prescaler factor	DMA	Capture /compare channels	Complementary outputs
Advanced control	TIM1	16-bit	Up, down, up/down	Integer from 1 to 65536	Yes	4	3
General purpose	TIM2	32-bit	Up, down, up/down	Integer from 1 to 65536	Yes	4	-
General purpose	TIM3	16-bit	Up, down, up/down	Integer from 1 to 65536	Yes	4	-
	TIM14	16-bit	Up	Integer from 1 to 65536	-	1	-
	TIM15	16-bit	Up	Integer from 1 to 65536	Yes	2	1
	TIM16 TIM17	16-bit	Up	Integer from 1 to 65536	Yes	1	1
Basic	TIM6 TIM7	16-bit	Up	Integer from 1 to 65536	Yes	-	-

2.15.1. Advanced-control timer (TIM1)

The advanced-control timer TIM1 is consist of a 16-bit auto-reload counter driven by a programmable prescaler. It can be used in various scenarios, including pulse length measurement of input signals (input capture) or generating output waveforms (output compare, output PWM, complementary PWM with dead-time insertion).

The four independent channels can be used for:

- Input capture

- Output compare
- PWM generation (edge or center-aligned mode)
- Single pulse mode output

If configured as a standard 16-bit timer, it has the same features as the TIMx timer. If configured as the 16-bit PWM generator, it has full modulation capability (0-100%).

The counter can be frozen in debug mode.

Many features are shared with those of the standard timers which have the same architecture. The advanced control timer can therefore work together with the other timers by the Timer Link feature for synchronization or event chaining.

TIM1 supports the DMA function.

2.15.2. General-purpose timers

2.15.2.1. TIM2/TIM3

The general-purpose timers TIM2/TIM3 are consist of 32/16-bit auto-reload counters and a 32/16-bit prescaler. There are four independent channels each for input capture/output compare, PWM or one-pulse mode output.

- They can work with the TIM1 by the Timer Link.
- TIM2/TIM3 supports DMA function.
- This timer is capable of handling quadrature (incremental) encoder signals and the digital outputs from 1 to 3 hall-effect sensors.
- The counter can be frozen in debug mode.

2.15.2.2. TIM14

- The general-purpose timer TIM14 is consist of a 16-bit auto-reload counter driven by a programmable prescaler.
- TIM14 features one single channel for input capture/output compare, PWM or one-pulse mode output.
- The counter can be frozen in debug mode.

2.15.2.3. TIM15/TIM16/TIM17

- The general-purpose timer (TIM15, TIM16 and TIM17) is consist of a 16-bit auto-reload counter driven by a programmable prescaler.
- TIM16/TIM17 features one single channel for input capture/output compare, PWM or one-pulse mode output.
- TIM15 features two single channel for input capture/output compare, PWM or one-pulse mode output.
- TIM15/TIM16/TIM17 have complementary outputs with dead time.
- TIM15/TIM16/TIM17 supports DMA function.

- The counter can be frozen in debug mode.

2.15.3. Basic timers (TIM6/TIM7)

- The basic timer (TIM6/TIM7) is consist of a 16-bit auto-reload upcounter driven by their programmable prescaler respectively.
- Generate interrupt/DMA request on update event (counter overflow).

2.15.4. Low power timer (LPTIM)

- LPTIM is a 16-bit upcounter with a 3-bit prescaler and support a continuous or single count.
- LPTIM can be configured as a Stop mode wake-up source.
- The counter can be frozen in debug mode.

2.15.5. Independent watchdog (IWDG)

Independent watchdog (IWDG) is integrated in the chip, and this module has the characteristics of high-security level, accurate timing and flexible use. IWDG finds and resolves functional confusion due to software failure and triggers a system reset when the counter reaches the specified timeout value.

- The IWDG is clocked by LSI, so even if the main clock fails, it can keep working.
- IWDG is the best suited for applications that require the watchdog as a standalone process outside of the main application and do not have high timing accuracy constraints.
- Controlling of option byte can enable IWDG hardware mode.
- IWDG is the wake-up source of Stop mode, which wakes up Stop mode by reset.
- The counter can be frozen in debug mode.

2.15.6. System window watchdog (WWDG)

The system window watchdog is based on a 7-bit downcounter that can be set as free running. It can be used as a watchdog to reset the device when a problem occurs. It is clocked from the APB clock (PCLK). It has an early warning interrupt capability, and the counter can be frozen in debug mode.

2.15.7. SysTick timer

SysTick timer is dedicated to real-time operating systems, but could also be used as a standard down counter.

SysTick features:

- A 24-bit down counter
- Auto-reload capability
- Maskable system interrupt generation when the counter reaches 0

2.16. Real-time clock (RTC)

The RTC is an independent counter. It has a set of continuous counting counters, which can provide a clock calendar function under the corresponding software configuration. Modifying the value of the counter can reset the current time and date of the system.

- RTC is a 32-bit programmable counter with a prescaler factor of up to 2^{20} bits.
- The RTC counter clock source can be LSE, LSI and HSE/128.
- RTC can generate alarm interrupt, second interrupt and overflow interrupt (maskable).
- RTC supports clock calibration.
- RTC can be frozen in debug mode.

2.17. Cyclic redundancy check unit (CRC)

CRC computing unit is based on a fixed generation polynomial to obtain 32-bit CRC computing results. In other applications, CRC technology is mainly used to verify the correctness and integrity of data transmission or data storage.

2.18. Clock trimming controller (CTC)

The clock trimming controller (CTC) uses hardware to automatically calibrate the RC crystal oscillator (HSI) when the internal configuration is 16 MHz. The CTC module calibrates the HSI clock frequency based on an external high-precision reference signal source, and adjusts the calibration value automatically or manually to obtain an accurate PLL48 MHz clock.

The CTC module performs the following functions:

- Two external reference sources: GPIO and LSE clock
- Provide software reference synchronization pulse.
- Hardware calibration automatically, no software operation.
- 16 bits calibration counter with reference source capture and overload capabilities.
- 8 bits clock calibration base value for frequency evaluation and automatic calibration.
- Flag bits and interrupts that indicate the state of clock calibration: calibration success state (CKOKIF), warning state (CKWARNIF), and error state (ERRIF).

2.19. System configuration controller (SYSCFG)

The SYSCFG module provides the following functions:

- Enable and disable I²C type IO filter
- Mapping the initial program area according to different boot modes
- DMA peripheral channel selection control
- TIMx cascade control
- Enable and disable PVD
- Enable and disable Cortex-M0+ LOCKUP

- Enable and disable noise filter for all GPIOs

2.20. Debug support (DBG)

The MCU DBG module assists the debugger with the following functions:

- Support Sleep mode and Stop mode
- When the CPU enters the HALT mode, the control timer or watchdog stops counting or continues counting
- Block I²C1 and I²C2 SMBUS timeouts when the CPU is in HALT mode

The MCUIDBG register also provides chip ID encoding. This ID encoding can be accessed by a JTAG or SW debug interface, or by a user program.

2.21. Inter-integrated circuit interface (I²C)

The I²C (Inter-integrated circuit) bus interface handles communications between the microcontroller and the serial I²C bus. It provides multimaster capability, and controls all I²C bus-specific sequencing, protocol, arbitration and timing. It supports Standard-mode (Sm) and Fast-mode (Fm).

I²C features:

- Two I²C Interfaces
- Multimaster capability : can be Master or Slave
- Support different communication speeds
 - Standard Mode (Sm): up to 100 kHz
 - Fast Mode (Fm): up to 400 kHz
- As Master
 - Generate Clock
 - Generation of start and stop
- As Slave
 - Programmable I²C address detection
 - Dual-address capability that responds to two secondary addresses
 - Discovery of the stop bit
- 7-bit/10-bit addressing mode
- General call
- Status flag
 - Transmit/receive mode flags
 - Byte transfer complete flag
 - I²C busy flag bit
- Error flag
 - Master arbitration loss
 - ACK failure after address/data transfer
 - Start/stop error
 - Overrun/Underrun (clock stretching function disable)

- Optional clock stretching
- Single-byte buffer with DMA capability
- Software reset
- Analog noise filter function
- Hardware PEC (packet error checking) generation and verification with ACK control
- Support SMBus

2.22. Universal synchronous/asynchronous receiver transmitter (USART)

PY32F040 contains 4 USARTs, two of USARTs (USART1 and USART2) support ISO7816, LIN and IrDA.

The USARTs provide a flexible method for full-duplex data exchange with external devices using the industry-standard NRZ asynchronous serial data format. The USART utilizes a fractional baud rate generator to provide a wide range of baud rate options.

It supports simultaneous one-way communication and half-duplex single-wire communication, and it also allows multi-processor communication.

Automatic baud rate detection is supported.

High-speed data communication can be achieved by using the DMA method of the multi-buffer configuration.

USARTs features:

- Full-duplex asynchronous communication
- NRZ standard format
- Configurable 16 times or 8 times oversampling for increased flexibility in speed and clock tolerance
- Programmable baud rate shared by transmit and receive, up to 4.5 Mbit/s
- Automatic baud rate detection
- Programmable data length of 8 or 9 bits
- Configurable stop bits (0.5, 1, 1 or 2 bits)
- Synchronous mode and clock output function for synchronous communication
- Single-wire half-duplex communication
- Independent transmit and receive enable bits
- Hardware flow control
- Receive/transmit bytes by DMA buffer
- Detection flag
 - Receive full buffer
 - Send empty buffer
 - End of transmission
- Parity control
 - Send check digit

- Check the received data
- Flagged interrupt sources
 - CTS change
 - Send empty register
 - Send completed
 - Receive full data register
 - Bus idle detected
 - Overflow error
 - Frame error
 - Noise operation
 - Error detection
- Multiprocessor communication
 - If the address does not match, enter silent mode
- Wake-up from silent mode: by idle detection and address flag detection

2.23. Serial peripheral interface (SPI)

PY32F040 contains two SPIs. SPIs allow the chip to communicate with external devices in half-duplex, full-duplex, and simplex synchronous serial communication. This interface can be configured in Master mode and provides the communication clock (SCK) for external slave devices. The interface can also work in a multi-master configuration.

The SPI features are as follows:

- Master or Slave mode
- 3-wire full-duplex simultaneous transmission
- 2-wire half-duplex synchronous transmission (with bidirectional data line)
- 2-wire simplex synchronous transmission (no bidirectional data line)
- 8-bit or 16-bit transmission frame
- Support multi-master mode
- 8 Master mode baud rate prescale factors (Max $f_{PCLK}/2$)
- Slave mode frequency (Max $f_{PCLK}/4$)
- Both Master and Slave modes can be managed by software or hardware NSS: dynamic change of Master/Slave operating mode
- Programmable clock polarity and phase
- Programmable data order, MSB first or LSB first
- Dedicated transmit and receive flags that can trigger interrupts
- SPI bus busy status flag
- Motorola mode
- Interrupt-causing Master mode faults or overloads
- Two 32-bit Rx and Tx FIFOs with DMA capability

2.24. Serial wire debug (SWD)

An ARM SWD interface allows serial debugging tools to be connected to the PY32F040.

Puya Confidential

3. Pinouts and pin descriptions

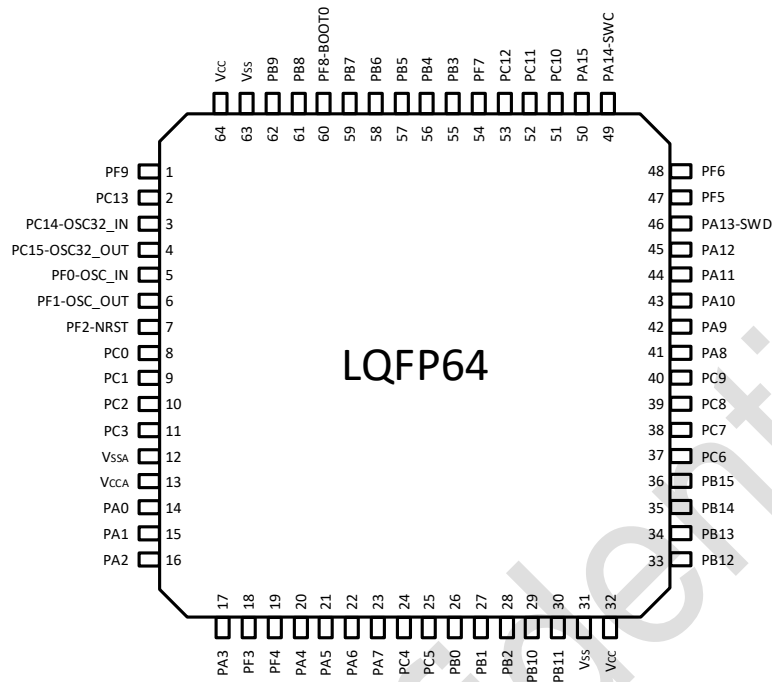


Figure 3-1 LQFP64 PY32F040R1xT6 Pinout1 (Top view)

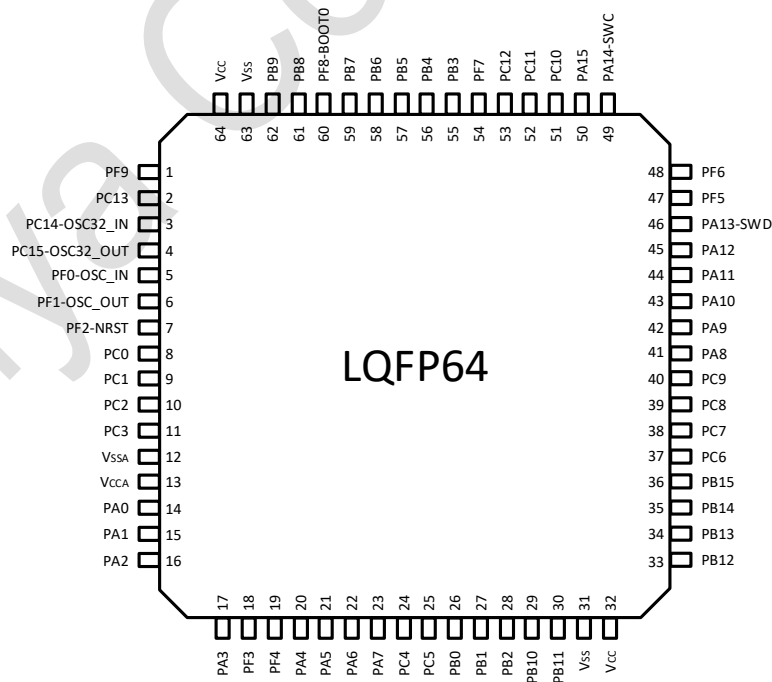


Figure 3-2 LQFP64 PY32F040R2xT6 Pinout2 (Top view)

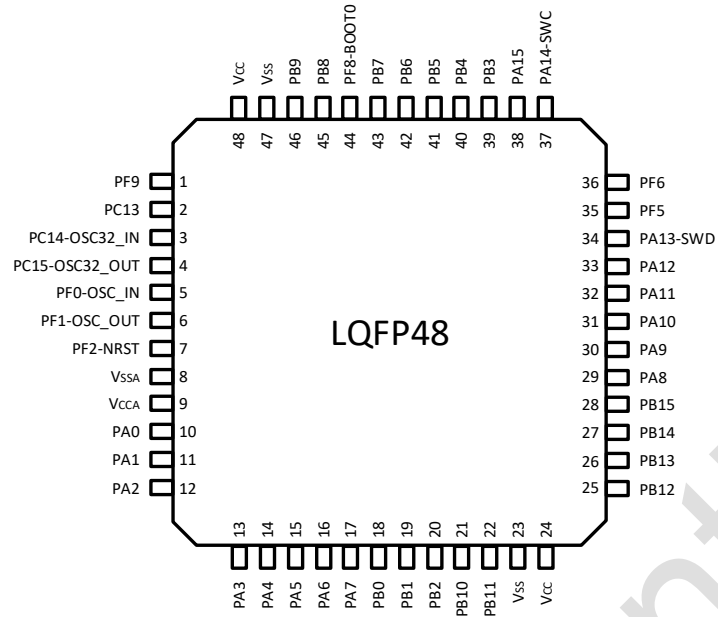


Figure 3-3 LQFP48 PY32F040C1xTx Pinout1 (Top view)

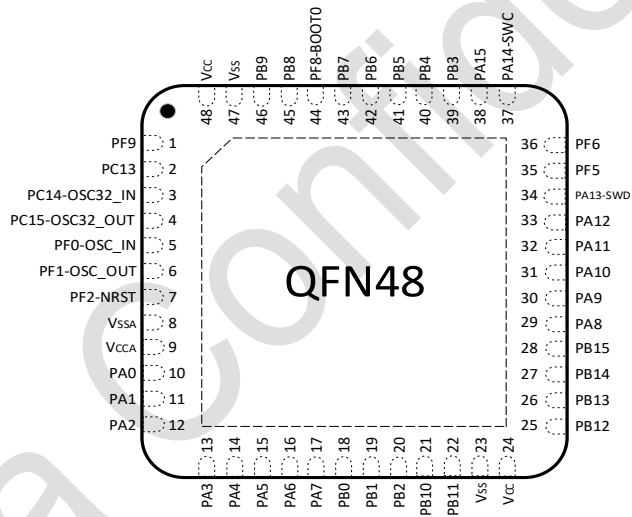


Figure 3-4 QFN48 PY32F040C1xU6 Pinout1 (Top view)

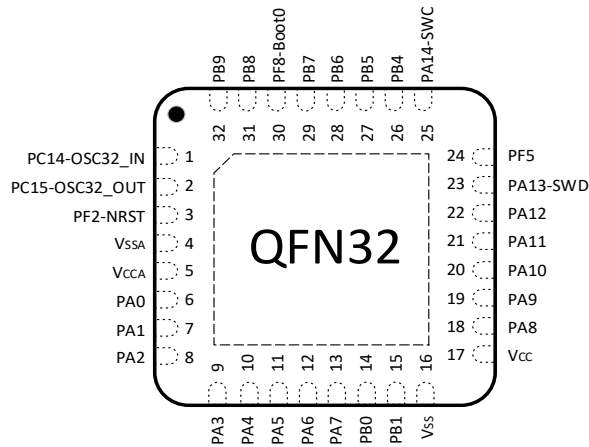


Figure 3-5 QFN32(5*5) PY32F040K1xU6 Pinout1 (Top view)

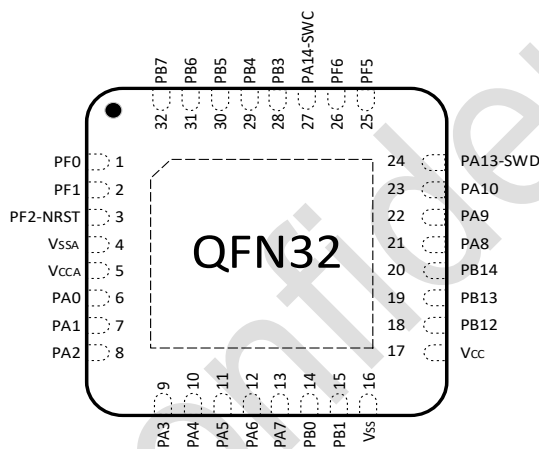


Figure 3-6 QFN32(4*4) PY32F040K2xU6 Pinout2 (Top view)

Table 3-1 Legend/abbreviations used in the pinout table

Name	Symbol	Definition	
Pin type	S	Supply pin	
	G	Ground pin	
	I	Input-only pin	
	I/O	Input / output pin	
I/O structure	COM	Standard 5V I/O, with Analog switch function supplied by V _{CCA}	
	RST	Bidirectional reset pin with embedded weak pull-up resistor	
Notes	-	Unless otherwise specified, all ports are used as floating inputs between and after reset	
Pin functions	Alternate functions	-	Function selected through GPIOx_AFR register
	Additional functions	-	Functions directly selected/enabled through peripheral registers

Table 3-2 Pin definitions

Packages					Reset	Port type	Port structure	Functions	
LQFP64 R1 / R2	LQFP48 C1	QFN48 C1	QFN32 (5*5) K1	QFN32 (4*4) K2				Alternate functions	Additional functions
1	1	1	-	-	PF9	I/O	COM	-	-
2	2	2	-	-	PC13	I/O	COM	SPI1_SCK/I ² S1_CK	-
								TIM1_BKIN	
3	3	3	1	-	PC14	I/O	COM	TIM1_BKIN2	OSC32_IN
4	4	4	2	-	PC15	I/O	COM	TIM15_BKIN	OSC32_OUT
5	5	5	-	1	PF0-OSC_IN	I/O	COM	USART2_TX	OSC_IN
								TIM1_BKIN	
								TIM14_CH1	
6	6	6	-	2	PF1-OSC_OUT	I/O	COM	USART2_RX	OSC_OUT
								TIM1_CH1N	
								TIM15_CH1N	
7	7	7	3	3	PF2-NRST ⁽¹⁾	I/O	RST	TIM1_CH2	-
								EVENTOUT	
								MCO	
8	-	-	-	-	PC0	I/O	COM	EVENTOUT	ADC_IN10, COMP1_INP0 COMP2_INN0,
								SPI1_MISO/I ² S1_MCK	
								USART2_CTS	

Packages					Reset	Port type	Port structure	Functions	
LQFP64 R1 / R2	LQFP48 C1	QFN48 C1	QFN32 (5*5) K1	QFN32 (4*4) K2				Alternate functions	Additional functions
								USART3_RTS	SEG27
9	-	-	-	-	PC1	I/O	COM	EVENTOUT SPI1_MOSI/I ² S1_SD USART2_RTS USART3_CTS TIM15_CH1	ADC_IN11, COMP1_INP1, COMP2_INN1, SEG26
10	-	-	-	-	PC2	I/O	COM	EVENTOUT SPI2_MISO/I ² S2_MCK USART3_TX USART3_RX TIM15_CH2	ADC_IN12, COMP1_INP2, COMP2_INN2, SEG25
11	-	-	-	-	PC3	I/O	COM	EVENTOUT SPI2_MOSI/I ² S2_SD USART3_RX USART3_TX	ADC_IN13, COMP1_INP3, COMP2_INN3, SEG24
12	8	8	4	4	V _{SSA}	G	-	Ground	
13	9	9	5	5	V _{CCA}	S	-	Analog power supply	
14	10	10	6	6	PA0	I/O	COM	USART2_CTS	ADC_IN0,

Packages					Reset	Port type	Port structure	Functions	
LQFP64 R1 / R2	LQFP48 C1	QFN48 C1	QFN32 (5*5) K1	QFN32 (4*4) K2				Alternate functions	Additional functions
								TIM2_CH1_ETR	COMP1_INP4, COMP1_INN0, COMP2_INP0, COMP2_INN4, SEG23
							USART4_TX		
							COMP1_OUT		
							SPI2_SCK/I ² S2_CK		
15	11	11	7	7	PA1	I/O	COM	EVENTOUT	ADC_IN1, COMP1_INP5, COMP1_INN1, COMP2_INP1, COMP2_INN5, SEG22
								USART2_RTS	
								TIM2_CH2	
								USART4_RX	
								TIM15_CH1N	
								I ² C1_SMBA	
								SPI1_SCK/I ² S1_CK	
								SPI2_MOSI/I ² S2_SD	
16	12	12	8	8	PA2	I/O	COM	TIM15_CH1	ADC_IN2, COMP1_INP6, COMP1_INN2, COMP2_INP2, SEG21
								USART2_TX	
								TIM2_CH3	
								COMP2_OUT	
								SPI1_MOSI/I ² S1_SD	

Packages					Reset	Port type	Port structure	Functions	
LQFP64 R1 / R2	LQFP48 C1	QFN48 C1	QFN32 (5*5) K1	QFN32 (4*4) K2				Alternate functions	Additional functions
								SPI2_MISO/I ² S2_MCK	
17	13	13	9	9	PA3	I/O	COM	EVENTOUT TIM15_CH2 USART2_RX TIM2_CH4 SPI2_MISO/I ² S2_MCK SPI2_NSS/I ² S2_WS	ADC_IN3, COMP1_INP7, COMP1_INN3, COMP2_INP3, SEG20
18	-	-	-	-	PF3	I/O	COM	EVENTOUT I ² C1_SCL I ² C2_SCL	-
19	-	-	-	-	PF4	I/O	COM	I ² C1_SCL I ² C2_SCL	-
20	14	14	10	10	PA4	I/O	COM	EVENTOUT SPI1_NSS/I ² S1_WS USART2_CK TIM14_CH1 SPI2_MOSII/I ² S2_SD USART2_TX	ADC_IN4, COMP1_INP8, COMP1_INN4, COMP2_INP4, SEG19

Packages					Reset	Port type	Port structure	Functions	
LQFP64 R1 / R2	LQFP48 C1	QFN48 C1	QFN32 (5*5) K1	QFN32 (4*4) K2				Alternate functions	Additional functions
								PVD_OUT	
21	15	15	11	11	PA5	I/O	COM	EVENTOUT	ADC_IN5, COMP1_INP9, COMP1_INN5, COMP2_INP5, SEG18, OPA2_OUT
								SPI1_SCK/I ² S1_CK	
								TIM2_CH1_ETR	
								USART3_TX	
22	16	16	12	12	PA6	I/O	COM	EVENTOUT	ADC_IN6, COMP1_INP10, COMP1_INN6, OPA2_INN, SEG17
								SPI1_MISO/I ² S1_MCK	
								TIM3_CH1	
								TIM1_BKIN	
								USART3_CTS	
								TIM16_CH1	
								COMP1_OUT	
23	17	17	13	13	PA7	I/O	COM	EVENTOUT	ADC_IN7, COMP1_INP11, COMP1_INN7, OPA2_INP,
								SPI1_MOSI/I ² S1_SD	
								TIM3_CH2	
								TIM1_CH1N	

Packages					Reset	Port type	Port structure	Functions	
LQFP64 R1 / R2	LQFP48 C1	QFN48 C1	QFN32 (5*5) K1	QFN32 (4*4) K2				Alternate functions	Additional functions
								TIM14_CH1	SEG16
							TIM17_CH1		
							COMP2_OUT		
24	-	-	-	-	PC4	I/O	COM	EVENTOUT	ADC_IN14, COMP1_INN8, SEG15
							USART3_TX		
							SPI1_NSS/I ² S1_WS		
							USART1_TX		
							TIM2_CH1_ETR		
								IR_OUT	
25	-	-	-	-	PC5	I/O	COM	USART3_RX	ADC_IN15, COMP1_INN9, SEG14
							SPI1_MOSI/I ² S1_SD		
							USART1_RX		
							TIM2_CH2		
26	18	18	14	14	PB0	I/O	COM	EVENTOUT	ADC_IN8, COMP2_INN6, SEG13
							TIM3_CH3		
							TIM1_CH2N		
							USART3_CK		
								COMP1_OUT	

Packages					Reset	Port type	Port structure	Functions	
LQFP64 R1 / R2	LQFP48 C1	QFN48 C1	QFN32 (5*5) K1	QFN32 (4*4) K2				Alternate functions	Additional functions
								SPI1_NSS/I ² S1_WS	
								USART3_RX	
27	19	19	15	15	PB1	I/O	COM	EVENTOUT TIM14_CH1 TIM3_CH4 TIM1_CH3N USART3_RTS	ADC_IN9, COMP2_INP6, COMP2_INN7, SEG12
28	20	20	-	-	PB2	I/O	COM	EVENTOUT SPI2_MISO/I ² S2_MCK USART3_TX	COMP2_INP7, COMP2_INN8, SEG11
29	21	21	-	-	PB10	I/O	COM	I ² C2_SCL TIM2_CH3 USART3_TX SPI2_SCK/I ² S2_CK COMP1_OUT USART2_RTS I ² C1_SCL	COMP2_INP8, SEG10
30	22	22	-	-	PB11	I/O	COM	EVENTOUT	SEG9

Packages					Reset	Port type	Port structure	Functions	
LQFP64 R1 / R2	LQFP48 C1	QFN48 C1	QFN32 (5*5) K1	QFN32 (4*4) K2				Alternate functions	Additional functions
								I ² C2_SDA	
								TIM2_CH4	
								USART3_RX	
								COMP2_OUT	
								SPI2_MOSII/I ² S2_SD	
								USART2_CTS	
								I ² C1_SDA	
31	23	23	16	16	V _{SS}	G	-	Ground	
32	24	24	17	17	V _{CC}	S	-	Digital power supply	
33	25	25	-	18	PB12	I/O	COM	EVENTOUT	COMP2_INP9 SEG8
								SPI2_NSS/I ² S2_WS	
								TIM1_BKIN	
								USART3_CK	
								TIM15_BKIN	
34	26	26	-	19	PB13	I/O	COM	EVENTOUT	COMP2_INP10, SEG7
								SPI2_SCK/I ² S2_CK	
								TIM1_CH1N	
								USART3_CTS	

Packages					Reset	Port type	Port structure	Functions	
LQFP64 R1 / R2	LQFP48 C1	QFN48 C1	QFN32 (5*5) K1	QFN32 (4*4) K2				Alternate functions	Additional functions
								I ² C2_SCL	
							MCO		
							TIM15_CH1N		
							I ² C1_SCL		
35	27	27	-	20	PB14	I/O	COM	EVENTOUT	COMP2_INP11, SEG6
								SPI2_MISO/I ² S2_MCK	
								TIM15_CH1	
								TIM1_CH2N	
								USART3_RTS	
								I ² C2_SDA	
								I ² C1_SDA	
36	28	28	-	-	PB15	I/O	COM	EVENTOUT	SEG5
								SPI2_MOSI/I ² S2_SD	
								TIM15_CH2	
								TIM1_CH3N	
								TIM15_CH1N	
37	-	-	-	-	PC6	I/O	COM	TIM3_CH1	SEG4
								SPI2_SCK/I ² S2_CK	

Packages					Reset	Port type	Port structure	Functions	
LQFP64 R1 / R2	LQFP48 C1	QFN48 C1	QFN32 (5*5) K1	QFN32 (4*4) K2				Alternate functions	Additional functions
								USART4_RX	
								TIM2_CH3	
38	-	-	-	-	PC7	I/O	COM	TIM3_CH2	SEG3
								SPI2_MISO/I ² S2_MCK	
								USART4_TX	
								TIM2_CH4	
39	-	-	-	-	PC8	I/O	COM	TIM3_CH3	SEG2
								SPI2_MOSI/I ² S2_SD	
								USART4_CTS	
								TIM1_CH1	
40	-	-	-	-	PC9	I/O	COM	TIM3_CH4	SEG1
								SPI2_NSS/I ² S2_WS	
								SPI1_SCK/I ² S1_CK	
								USART4_RTS	
								TIM1_CH2	
41	29	29	18	21	PA8	I/O	COM	EVENTOUT	SEG0, OPA1_OUT
								MCO	
								USART1_CK	

Packages					Reset	Port type	Port structure	Functions	
LQFP64 R1 / R2	LQFP48 C1	QFN48 C1	QFN32 (5*5) K1	QFN32 (4*4) K2				Alternate functions	Additional functions
								TIM1_CH1	
								SPI2_NSS	
								USART1_TX	
42	30	30	19	22	PA9	I/O	COM	EVENTOUT	COM0 OPA1_INP
								TIM15_BKIN	
								USART1_TX	
								TIM1_CH2	
								I ² C1_SCL	
								SPI2_MISO/I ² S2_MCK	
								MCO	
								I ² C2_SCL	
43	31	31	20	23	PA10	I/O	COM	EVENTOUT	COM1 OPA1_INN
								TIM17_BKIN	
								USART1_RX	
								TIM1_CH3	
								I ² C1_SDA	
								SPI2_MOSI/I ² S2_SD	
								I ² C2_SDA	

Packages					Reset	Port type	Port structure	Functions	
LQFP64 R1 / R2	LQFP48 C1	QFN48 C1	QFN32 (5*5) K1	QFN32 (4*4) K2				Alternate functions	Additional functions
44	32	32	21	-	PA11	I/O	COM	EVENTOUT	COM2
								SPI1_MISO/I ² S1_MCK	
								USART1_CTS	
								TIM1_CH4	
								TIM1_BKIN2	
45	33	33	22	-	PA12	I/O	COM	EVENTOUT	COM3
								USART1_RTS	
								TIM1_ETR	
								COMP2_OUT	
								SPI1_SCK/I ² S1_CK	
								SPI1_MOSI/I ² S1_SD	
46	34	34	23	24	PA13-SWD ⁽²⁾	I/O	COM	EVENTOUT	-
								SWDIO	
								IR_OUT	
								USART1_RX	
								PVD_OUT	
47	35	35	24	25	PF5	I/O	COM	TIM1_BKIN2	RTC_OUT
48	36	36	-	26	PF6	I/O	COM	USART1_CTS	-

Packages					Reset	Port type	Port structure	Functions	
LQFP64 R1 / R2	LQFP48 C1	QFN48 C1	QFN32 (5*5) K1	QFN32 (4*4) K2				Alternate functions	Additional functions
49	37	37	25	27	PA14-SWC (2)	I/O	COM	EVENTOUT	-
								SWCLK	
								USART2_TX	
								USART1_TX	
								PVD_OUT	
50	38	38	-	-	PA15	I/O	COM	EVENTOUT	-
								SPI1_NSS/I ² S1_WS	
								USART2_RX	
								TIM2_CH1_ETR	
								USART4_RTS	
								USART3_RTS	
51	-	-	-	-	PC10	I/O	COM	USART4_TX	COM4/SEG39
								USART3_TX	
								TIM1_CH3	
52	-	-	-	-	PC11	I/O	COM	USART4_RX	COM5/SEG38
								USART3_RX	
								TIM1_CH4	
53	-	-	-	-	PC12	I/O	COM	USART4_CK	COM6/SEG37

Packages					Reset	Port type	Port structure	Functions	
LQFP64 R1 / R2	LQFP48 C1	QFN48 C1	QFN32 (5*5) K1	QFN32 (4*4) K2				Alternate functions	Additional functions
								USART3_CK	
								TIM14_CH1	
54	-	-	-	-	PF7	I/O	COM	TIM3_ETR	COM7/SEG36
								USART3_RTS	
								TIM1_CH1N	
55	39	39	-	28	PB3	I/O	COM	EVENTOUT	COMP2_INN9 SEG35/MLCDH
								SPI1_SCK/I ² S1_CK	
								TIM2_CH2	
								USART1_RTS	
								TIM1_CH2	
56	40	40	26	29	PB4	I/O	COM	EVENTOUT	COMP1_INP12 COMP2_INP12 SEG34/VLCD3
								SPI1_MISO/I ² S1_MCK	
								TIM3_CH1	
								USART1_CTS	
								USART1_CK	
								TIM1_CH2N	
								TIM17_BKIN	
57	41	41	27	30	PB5	I/O	COM	SPI1_MOSI/I ² S1_SD	COMP1_INP13

Packages					Reset	Port type	Port structure	Functions	
LQFP64 R1 / R2	LQFP48 C1	QFN48 C1	QFN32 (5*5) K1	QFN32 (4*4) K2				Alternate functions	Additional functions
								TIM3_CH2	SEG33/VLCD2
							TIM16_BKIN		
							I ² C1_SMBA		
							USART1_CK		
							COMP2_OUT		
							USART1_RTS		
							USART1_TX		
							TIM1_CH3N		
58	42	42	28	31	PB6	I/O	COM	EVENTOUT	COMP1_INP14, COMP2_INP14 SEG32/VLCD1
								USART1_TX	
								I ² C1_SCL	
								TIM16_CH1N	
								SPI2_MISO/I ² S2_MCK	
								USART3_CTS	
								TIM1_CH3	
								I ² C2_SCL	
59	43	43	29	32	PB7	I/O	COM	EVENTOUT	PVD_IN, COMP2_INP15
								USART1_RX	

Packages					Reset	Port type	Port structure	Functions	
LQFP64 R1 / R2	LQFP48 C1	QFN48 C1	QFN32 (5*5) K1	QFN32 (4*4) K2				Alternate functions	Additional functions
								I ² C1_SDA TIM17_CH1N USART4_CTS SPI2_MOSI/I ² S2_SD I ² C2_SDA TIM1_CH1	SEG31
60	44	44	30	-	PF8/BOOT ⁽³⁾	I/O	COM	-	SEG30
61	45	45	31	-	PB8	I/O	COM	EVENTOUT I ² C1_SCL I ² C2_SCL TIM16_CH1 SPI2_SCK/I ² S2_CK USART1_TX USART3_TX TIM15_BKIN TIM1_CH1N	SEG29
62	46	46	32	-	PB9	I/O	COM	EVENTOUT IR_OUT	SEG28

Packages					Reset	Port type	Port structure	Functions	
LQFP64 R1 / R2	LQFP48 C1	QFN48 C1	QFN32 (5*5) K1	QFN32 (4*4) K2				Alternate functions	Additional functions
								I ² C1_SDA	
								TIM17_CH1	
								SPI2_NSS/I ² S2_WS	
								USART1_RX	
								USART3_RX	
								I ² C2_SDA	
63	47	47	-	-	V _{SS}	G	-	Ground	
64	48	48	-	-	V _{CC}	S	-	Digital power supply	

1. Configured by option bytes to choose PF2 or NRST.
2. After reset, PA13 and PA14 are configured as SWDIO and SWCLK AF functions. The former has an internal pull-up resistor and the latter has an internal pull-down resistor activated.
3. PF8-BOOT0 defaults to digital input mode and pull-down is enabled.

3.1. Alternate functions selected through GPIOA_AFR registers for port A

Table 3-3 Port A alternate functions mapping

Port A	AF0	AF1	AF2	AF3	AF4	AF5	AF6	AF7	AF8	AF9	AF10	AF11	AF12	AF13	AF14	AF15
PA0	-	USART2_CTS	TIM2_CH1_ETR	-	USART4_TX	-	-	COMP1_OUT	SPI2_SCK	-	-	-	-	-	-	-
PA1	EVENTOUT	USART2_RTS	TIM2_CH2	-	USART4_RX	TIM15_CH1 N	I ² C1_SMBA	-	SPI1_SCK/ I ² S1_CK	SPI2_MOSI	-	-	-	-	-	-
PA2	TIM15_CH1	USART2_TX	TIM2_CH3	-	-	-	-	COM2_OUT	SPI1_MOSI/ I ² S1_SD	SPI2_MISO	-	-	-	-	-	-
PA3	TIM15_CH2	USART2_RX	TIM2_CH4	-	-	-	-	EVENTOUT	SPI2_MSIO	SPI2_NSS/ I ² S2_WS	-	-	-	-	-	-
PA4	SPI1_NSS/ I ² S1_WS	USART2_CK	-	-	TIM14_CH1	-	-	EVENTOUT	SPI2_MOSI	USART2_TX	-	-	PVD_OUT	-	-	-
PA5	SPI1_SCK/ I ² S1_CK	-	TIM2_CH1_ETR	-	-	-	-	EVENTOUT	-	-	USART3_TX	-	-	-	-	-
PA6	SPI1_MISO/ I ² S1_MCK	TIM3_CH1	TIM1_BKIN	-	USART3_CTS	TIM16_CH1	EVENTOUT	COMP1_OUT	-	-	-	-	-	-	-	-
PA7	SPI1_MOSI/ I ² S1_SD	TIM3_CH2	TIM1_CH1N	-	TIM14_CH1	TIM17_CH1	EVENTOUT	COMP2_OUT	-	-	-	-	-	-	-	-
PA8	MCO	USART1_CK	TIM1_CH1	EVENTOUT	-	-	-	-	SPI2_NSS	-	USART1_TX	-	-	-	-	-
PA9	TIM15_BKIN	USART1_TX	TIM1_CH2	-	-	-	I ² C1_SCL	EVENTOUT	SPI2_MISO	MCO	-	-	-	I ² C2_SCL	-	-
PA10	TIM17_BKIN	USART1_RX	TIM1_CH3	-	-	-	I ² C1_SDA	EVENTOUT	SPI2_MOSI	-	-	-	-	I ² C2SDA	-	-
PA11	EVENTOUT	USART1_CTS	TIM1_CH4	-	-	-	-	COMP1_OUT	SPI1_MISO/ I ² S1_MCK	-	-	TIM1_BKIN2	-	-	-	-
PA12	EVENTOUT	USART1_RTS	TIM1_ETR	-	-	-	-	COMP2_OUT	SPI1_MOSI/ I ² S1_SD	SPI1_SCK/I ² S1_CKIN	-	-	-	-	-	-
PA13	SWDIO	IROUT	-	-	-	-	-	EVENTOUT	-	USART1_RX	-	-	PVD_OUT	-	-	-
PA14	SWCLK	USART2_TX	-	-	-	-	-	EVENTOUT	-	USART1_TX	-	-	PVD_OUT	-	-	-
PA15	SPI1_NSS/ I ² S1_WS	USART2_RX	TIM2_CH1_ETR	EVENTOUT	USART4_RTS	-	-	EVENTOUT	-	-	USART3_RTS	-	-	-	-	-

3.2. Alternate functions selected through GPIOB_AFR registers for port B

Table 3-4 Port B alternate function mapping

Port B	AF0	AF1	AF2	AF3	AF4	AF5	AF6	AF7	AF8	AF9	AF10	AF11	AF12	AF13	AF14	AF15
PB0	EVENTOUT	TIM3_CH3	TIM1_CH2N	-	USART3_CK	-	-	COMP1_OUT	SPI1_NSS/I ² S1_WS	-	USART3_RX	-	-	-	-	-
PB1	TIM14_CH1	TIM3_CH4	TIM1_CH3N	-	USART3_RTS	-	-	EVENTOUT	-	-	-	-	-	-	-	-
PB2	-	-	-	-	-	-	-	EVENTOUT	SPI2_MISO	-	USART3_TX	-	-	-	-	-
PB3	SPI1_SCK/ I ² S1_CK	EVENTOUT	TIM2_CH2	-	USART1_RTS	-	-	EVENTOUT	-	-	-	TIM1_CH2	-	-	-	-
PB4	SPI1_MISO/ I ² S1_MCK	TIM3_CH1	EVENTOUT	-	USART1_CTS	TIM17_BKIN	-	-	-	-	-	TIM1_CH2N	-	USART1_CK	-	-
PB5	SPI1_MOSI/ I ² S1_SD	Tim3_CH2	TIM16_BKIN	I ² C1_SMBA	USART1_CK	-	-	COMP2_OUT	-	USART1_RTS	-	TIM1_CH3N	-	USART1_TX	-	-
PB6	USART1_TX	I ² C1_SCL	TIM16_CH1N	-	-	-	-	EVENTOUT	SPI2_MISO	-	USART3_CTS	TIM1_CH3	-	I ² C2_SCL	-	-
PB7	USART1_RX	I ² C1_SDA	TIM17_CH1N	-	USART4_CTS	-	-	EVENTOUT	SPI2_MOSI	-	-	TIM1_CH1	-	I ² C2_SDA	-	-
PB8	-	I ² C1_SCL	TIM16_CH1	-	-	-	-	EVENTOUT	SPI2_SCK	USART1_TX	USART3_TX	TIM15_BKIN	-	I ² C2_SCL	TIM1_CH1N	-
PB9	IR_OUT	I ² C1_SDA	TIM17_CH1	EVENTOUT	-	SPI2_NSS/I ² S2_WS	-	-	-	USART1_RX	USART3_RX	-	-	I ² C2_SDA	-	-
PB10	-	I ² C2_SCL	TIM2_CH3	-	USART3_TX	SPI2_SCK/I ² S2_CK	-	COMP1_OUT	-	USART2_RTS	-	-	-	I ² C1_SCL	-	-
PB11	EVENTOUT	I ² C2_SDA	TIM2_CH4	-	USART3_RX	-	-	COMP2_OUT	SPI2_MOSI	USART2_CTS	-	-	-	I ² C1_SDA	-	-
PB12	SPI2_NSS/ I ² S2_WS	EVENTOUT	TIM1_BKIN	-	USART3_CK	TIM15_BKIN	-	-	-	-	-	-	-	-	-	-
PB13	SPI2_SCK/ I ² S2_CK	-	TIM1_CH1N	-	USART3_CTS	I ² C2_SCL	-	EVENTOUT	-	MCO	-	TIM15_CH1N	-	I ² C1_SCL	-	-
PB14	SPI2_MISO/I ² S2_MCK	TIM15_CH1	TIM1_CH2N	-	USART3_RTS	I ² C2_SDA	-	EVENTOUT	-	-	-	-	-	I ² C1_SDA	-	-
PB15	SPI2_MOSI/I ² S2_SD	TIM15_CH2	TIM1_CH3N	TIM15_CH1N	-	-	-	EVENTOUT	-	-	-	-	-	-	-	-

3.3. Alternate functions selected through GPIOC_AFR registers for port C

Table 3-5 Port C alternate function mapping

PortC	AF0	AF1	AF2	AF3	AF4	AF5	AF6	AF7	AF8	AF9	AF10	AF11	AF12	AF13	AF14	AF15
PC0	EVENTOUT	-	-	-	-	-	-	-	SPI1_MISO/I ² S1_MCK	USART2_CTS	USART3_RTS	-	-	-	-	-
PC1	EVENTOUT	-	-	-	-	-	-	-	SPI1_MOSI/I ² S1_SD	USART2_RTS	USART3_CTS	TIM15_CH1	-	-	-	-
PC2	EVENTOUT	SPI2_MISO/I ² S2_MCK	-	-	-	-	-	-	-	USART3_TX	USART3_RX	TIM15_CH2	-	-	-	-
PC3	EVENTOUT	SPI2_MOSI/I ² S2_SD	-	-	-	-	-	-	-	USART3_RX	USART3_TX	-	-	-	-	-
PC4	EVENTOUT	USART3_TX	-	-	-	-	-	-	SPI1_NSS/I ² S1_WS	USART1_TX	-	TIM2_CH1_ETR	IR_OUT	-	-	-
PC5	-	USART3_RX	-	-	-	-	-	-	SPI1_MOSI/I ² S1_SD	USART1_RX	-	TM2_CH2	-	-	-	-
PC6	TIM3_CH1	-	-	-	-	-	-	-	SPI2_SCK/I ² S2_CK	-	USART4_RX	TIM2_CH3	-	-	-	-
PC7	TIM3_CH2	-	-	-	-	-	-	-	SPI2_MISO/I ² S2_MCK	-	USART4_TX	TIM2_CH4	-	-	-	-
PC8	TIM3_CH3	-	-	-	-	-	-	-	SPI2_MOSI/I ² S2_SD	-	USART4_CTS	TIM1_CH1	-	-	-	-
PC9	TIM3_CH4	-	-	-	-	-	-	-	SPI2_NSS/I ² S2_WS	SPI1_SCK/I ² S1_CKIN	USART4_RTS	TIM1_CH2	-	-	-	-
PC10	USART4_TX	USART3_TX	-	-	-	-	-	-	-	-	-	TIM1_CH3	-	-	-	-
PC11	USART4_RX	USART3_RX	-	-	-	-	-	-	-	-	-	TIM1_CH4	-	-	-	-
PC12	USART4_CK	USART3_CK	-	-	-	-	-	-	-	-	-	TIM14_CH1	-	-	-	-
PC13	-	-	-	-	-	-	-	-	SPI1_SCK/I ² S1_CK	-	-	TIM1_BKIN	-	-	-	-
PC14	-	-	-	-	-	-	-	-	-	-	-	TIM1_BKIN2	-	-	-	-
PC15	-	-	-	-	-	-	-	-	-	-	-	TIM15_BKIN	-	-	-	-

3.4. Alternate functions selected through GPIOF_AFR registers for port F

Table 3-6 Port F alternate function mapping

PortF	AF0	AF1	AF2	AF3	AF4	AF5	AF6	AF7	AF8	AF9	AF10	AF11	AF12	AF13	AF14	AF15
PF0	-	-	-	-	-	-	-	-	-	USART2_TX	-	TIM14_CH1	-	TIM1_BKIN	-	-
PF1	-	-	-	-	-	-	-	-	-	USART2_RX	-	TIM15_CH1N	-	TIM1_CH1N	-	-
PF2	EVENTOUT	-	-	-	-	-	-	-	MCO	-	-	-	-	TIM1_CH2	-	-
PF3	EVENTOUT	-	-	-	-	-	I ² C1_SCL	-	-	-	-	-	-	I ² C2_SCL	-	-
PF4	-	-	-	-	-	-	I ² C1_SDA	-	-	-	-	-	-	I ² C2_SDA	-	-
PF5	-	-	TIM1_BKIN2	-	-	-	-	-	-	-	-	-	-	-	-	-
PF6	-	-	-	-	USART1_CTS	-	-	-	-	-	-	-	-	-	-	-
PF7	TIM3_ETR	USART3_RTS	-	-	-	-	-	-	-	-	-	TIM1_CH1N	-	-	-	-
PF8	-	-	-	-	-	-	-	-	-	-	-	-	-	-	-	-
PF9	-	-	-	-	-	-	-	-	-	-	-	-	-	-	-	-

4. Memory mapping

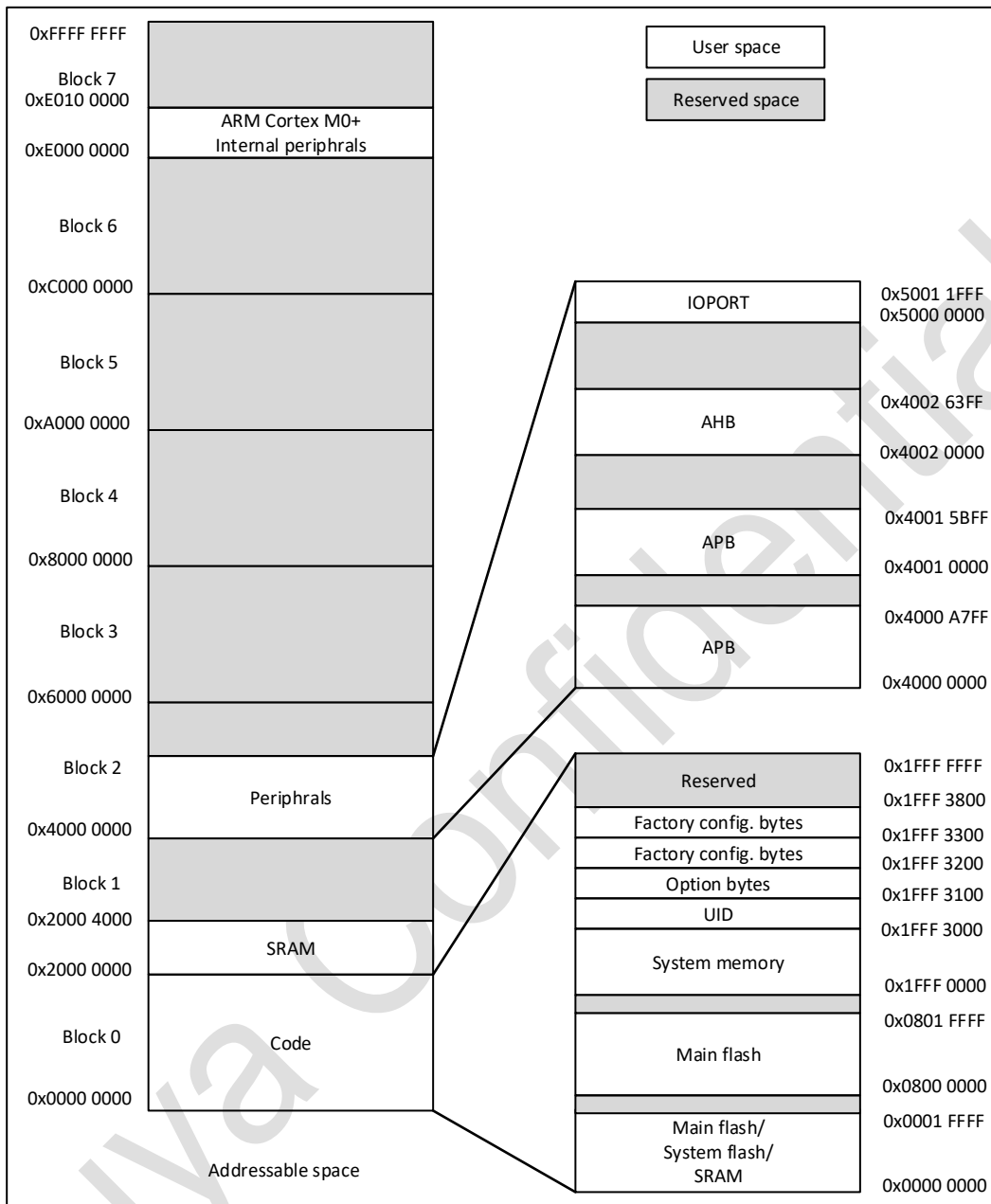


Table 4-1 Memory boundary address

Type	Boundary Address	Size	Memory Area	Description
SRAM	0x2000 4000-0x3FFF FFFF	-	Reserved ⁽¹⁾	-
	0x2000 0000-0x2000 3FFF	16 KB	SRAM	Up to 16 KB SRAM
Code	0x1FFF 3400-0x1FFF FFFF	-	Reserved	-
	0x1FFF 3300-0x1FFF 33FF	-	Reserved	Reserved
	0x1FFF 3200-0x1FFF 32FF	256 Bytes	FT info0 bytes	Factory config
	0x1FFF 3100-0x1FFF 31FF	256 Bytes	Option bytes	Option bytes information
	0x1FFF 3000-0x1FFF 30FF	256 Bytes	UID bytes	Unique ID
	0x1FFF 2F00-0x1FFF 2FFF	256 Bytes	FT bytes	FT bytes
	0x1FFF 0000-0x1FFF 2EFF	11.75 KB	System memory	Stash boot loader
	0x0802 0000-0x1FFE FFFF	-	Reserved	-
	0x0800 0000-0x0801 FFFF	128 KB	Main flash memory	-
	0x0002 0000-0x07FF FFFF	-	Reserved	-
	0x0000 0000-0x0001 FFFF	128 KB	Selected based on Boot configuration: 1.Main flash memory 2.System memory 3.SRAM	-

1. The address is marked as Reserved, which cannot be written, read as 0, and a response error is generated.

Table 4-2 Peripheral register boundary address⁽¹⁾

Bus	Boundary Address	Size	Peripheral
	0xE000 000-0xE00F FFFF	1 MB	M0+
IOPORT	0x5000 1800 - 0x5FFF FFFF	-	Reserved
	0x5000 1400 - 0x5000 17FF	1 KB	GPIOF
	0x5000 1000 - 0x5000 13FF	1 KB	Reserved
	0x5000 0C00 - 0x5000 0FFF	1 KB	Reserved
	0x5000 0800 - 0x5000 0BFF	1 KB	GPIOC
	0x5000 0400 - 0x5000 07FF	1 KB	GPIOB
	0x5000 0000 - 0x5000 03FF	1 KB	GPIOA
AHB	0x4002 4000 - 0x4FFF FFFF	-	Reserved
	0x4002 3C00 - 0x4002 3FFF	-	Reserved
	0x4002 3800 - 0x4002 3BFF	1 KB	DIV
	0x4002 3400 - 0x4002 37FF	1 KB	Reserved

Bus	Boundary Address	Size	Peripheral
	0x4002 3000 - 0x4002 33FF	1 KB	CRC
	0x4002 2400 - 0x4002 2FFF	-	Reserved
	0x4002 2000 - 0x4002 23FF	1 KB	Flash
	0x4002 1C00 - 0x4002 1FFF	-	Reserved
	0x4002 1800 - 0x4002 1BFF	1 KB	EXTI
	0x4002 1400 - 0x4002 17FF	-	Reserved
	0x4002 1000 - 0x4002 13FF	1 KB	RCC ⁽²⁾
	0x4002 0400 - 0x4002 0FFF	-	Reserved
	0x4002 0000 - 0x4002 03FF	1 KB	DMA
APB	0x4001 5C00 - 0x4001 FFFF	-	Reserved
	0x4001 5800 - 0x4001 5BFF	1 KB	DBG
	0x4001 4C00 - 0x4001 57FF	-	Reserved
	0x4001 4800 - 0x4001 4BFF	1 KB	TIM17
	0x4001 4400 - 0x4001 47FF	1 KB	TIM16
	0x4001 4000 - 0x4001 43FF	1 KB	TIM15
	0x4001 3C00 - 0x4001 3FFF	-	Reserved
	0x4001 3800 - 0x4001 3BFF	1 KB	USART1
	0x4001 3400 - 0x4001 37FF	-	Reserved
	0x4001 3000 - 0x4001 33FF	1 KB	SPI1/I2S1
	0x4001 2C00 - 0x4001 2FFF	1 KB	TIM1
	0x4001 2800 - 0x4001 2BFF	-	Reserved
	0x4001 2400 - 0x4001 27FF	1 KB	ADC
	0x4001 0400 - 0x4001 23FF	-	Reserved
	0x4001 0300 - 0x4001 03FF	1 KB	OPA
	0x4001 0200 - 0x4001 02FF		COMP
	0x4001 0000 - 0x4001 01FF		SYSCFG
	0x4000 8000 - 0x4000 FFFF	-	Reserved
	0x4000 7C00 - 0x4000 7FFF	1 KB	LPTIM1
	0x4000 7400 - 0x4000 7BFF	-	Reserved
	0x4000 7000 - 0x4000 73FF	1 KB	PWR ⁽³⁾
	0x4000 6C00 - 0x4000 6FFF	1 KB	CTC
	0x4000 5C00 - 0x4000 6BFF	-	Reserved
	0x4000 5800 - 0x4000 5BFF	1 KB	I ² C2
	0x4000 5400 - 0x4000 57FF	1 KB	I ² C1
	0x4000 5000 - 0x4000 53FF	-	Reserved
	0x4000 4C00 - 0x4000 4FFF	1 KB	USART4
0x4000 4800 - 0x4000 4BFF	1 KB	USART3	

Bus	Boundary Address	Size	Peripheral
	0x4000 4400 - 0x4000 47FF	1 KB	USART2
	0x4000 3C00 - 0x4000 43FF	-	Reserved
	0x4000 3800 - 0x4000 3BFF	1 KB	SPI2/I2S2
	0x4000 3400 - 0x4000 37FF	1 KB	Reserved
	0x4000 3000 - 0x4000 33FF	1 KB	IWDG
	0x4000 2C00 - 0x4000 2FFF	1 KB	WWDG
	0x4000 2800 - 0x4000 2BFF	1 KB	RTC
	0x4000 2400 - 0x4000 27FF	1 KB	LCD
	0x4000 2000 - 0x4000 23FF	1 KB	TIM14
	0x4000 1800 - 0x4000 1FFF	-	Reserved
	0x4000 1400 - 0x4000 17FF	1 KB	TIM7
	0x4000 1000 - 0x4000 13FF	1 KB	TIM6
	0x4000 0800 - 0x4000 0FFF	-	Reserved
	0x4000 0400 - 0x4000 07FF	1 KB	TIM3
	0x4000 0000 - 0x4000 03FF	1 KB	TIM2

1. In the above table, the reserved address cannot be written, read back is 0, and a hardfault is generated
2. Support 32 bits word, halfword and byte access.
3. Support 32 bits word and halfword access.

5. Electrical characteristics

5.1. Parameter conditions

Unless otherwise specified, all voltages are referenced to V_{SS} .

5.1.1. Minimum and maximum values

Unless otherwise specified, the minimum and maximum values are guaranteed in the worst conditions of ambient temperature, supply voltage and frequencies by tests in production on 100% of the devices with an ambient temperature at $T_A = 25\text{ }^\circ\text{C}$ and $T_A = T_{A(\text{max})}$ (given by the selected temperature range).

Data based on electrical characterization results, design simulations and/or technology characteristics are indicated in the table footnotes and are not tested in production. Based on characterization, the minimum and maximum values refer to sample tests and represent the mean value plus or minus three times the standard deviation.

5.1.2. Typical values

Unless otherwise specified, typical data are based on $T_A = 25\text{ }^\circ\text{C}$ and $V_{CC} = 3.3\text{ V}$. They are given only as design guidelines and are not tested.

Typical ADC accuracy values are determined by characterization of a batch of samples from a standard diffusion lot over the full temperature range, where 95 % of the devices have an error less than or equal to the value indicated.

5.1.3. Power supply scheme

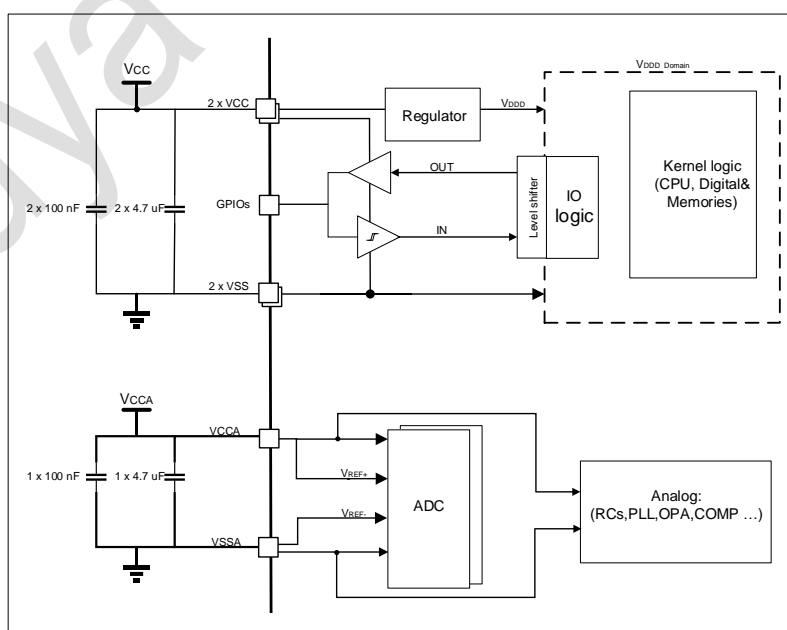


Figure 5-1 Power supply scheme

5.2. Absolute maximum ratings

Stresses above the absolute maximum ratings listed in following tables may cause permanent damage to the device. These are stress ratings only and functional operation of the device at these conditions is not implied. Exposure to maximum rating conditions for extended periods may affect device reliability.

Table 5-1 Voltage characteristics ⁽¹⁾

Symbol	Ratings	Min	Max	Unit
$V_{CC}-V_{SS}$	External mains power supply	-0.3	6.25	V
V_{IN}	Input voltage of other pins	-0.3	$V_{CC}+0.3$	V

- All main power (V_{CC} , V_{CCA}) and ground (V_{SS} , V_{SSA}) pins must always be connected to the external power supply, in the permitted range.

Table 5-2 Current characteristics

Symbol ⁽²⁾	Ratings	Max	Unit
ΣI_{VCC}	Total current into sum of all V_{CC} power lines (source) ⁽¹⁾	170	mA
ΣI_{VSS}	Total current out of sum of all V_{SS} ground lines (sink) ⁽¹⁾	170	mA
$I_{IO(PIN)}$ ⁽²⁾	Output current sunk by any I/O and control pin	20	mA
	Output current source by any I/Os and control pin	20	
$\Sigma I_{IO(PIN)}$ ⁽²⁾	Total output current sunk by sum of all I/Os and control pins	150	mA
	Total output current sourced by sum of all I/Os and control pins	150	

- Power supply V_{CC} and ground V_{SS} pins must always be connected to the external power supply within the allowable range.
- These I/O types refer to the terms and symbols defined by pins.

Table 5-3 Thermal characteristics

Symbol	Parameter	Conditions	Value	Unit
T_{STG}	Storage temperature range	-	-65 to +150	°C
T_O	Operating temperature range	-	-40 to +105	°C

5.3. Operating conditions

5.3.1. General operating conditions

Table 5-4 General operating conditions

Symbol	Parameter	Conditions	Min	Max	Unit
f_{HCLK}	Internal AHB clock frequency	-	0	72	MHz
f_{PCLK}	Internal APB clock frequency	-	0	72	MHz
V_{CC}	Standard operating voltage	-	1.7	5.5	V
V_{CCA}	Operating voltage of analog circuit	Must be the same as V_{CC}	1.7	5.5	V

Symbol	Parameter	Conditions	Min	Max	Unit
V _{IN}	I/O input voltage	-	-0.3	V _{CC} +0.3	V
T _A	Ambient temperature	-	-40	105	°C
T _J	Junction temperature	-	-40	110	°C

5.3.2. Operating conditions at power-up / power-down

Table 5-5 Operating conditions at power-up / power-down

Symbol	Parameter	Conditions	Min	Max	Unit
t _{vcc}	V _{CC} rise time rate	-	0	∞	μs/V
	V _{CC} fall time rate	-	20	∞	

5.3.3. Embedded reset and PVD module characteristics

Table 5-6 POR/PDR/BOR module characteristics

Symbol	Parameter	Conditions	Min	Typ	Max	Unit
t _{RSTTEMPO} ⁽¹⁾	Reset temporization	-	-	4.0	7.5	ms
V _{POR/PDR}	Power-on/power-off reset threshold	Rising edge	1.5	1.6	1.7	V
		Falling edge	1.45	1.55	1.65	
V _{PDRhyst} ⁽¹⁾	PDR hysteresis	-	-	50	-	mV
V _{BOR}	BOR threshold	BOR_LEV[2:0]=000 (Rising edge)	1.7	1.8	1.9	V
		BOR_LEV[2:0]=000 (Falling edge)	1.6	1.7	1.8	
		BOR_LEV[2:0]=001 (Rising edge)	1.9	2	2.1	
		BOR_LEV[2:0]=001 (Falling edge)	1.8	1.9	2	
		BOR_LEV[2:0]=010 (Rising edge)	2.1	2.2	2.3	
		BOR_LEV[2:0]=010 (Falling edge)	2	2.1	2.2	
		BOR_LEV[2:0]=011 (Rising edge)	2.3	2.4	2.5	
		BOR_LEV[2:0]=011 (Falling edge)	2.2	2.3	2.4	
		BOR_LEV[2:0]=100 (Rising edge)	2.5	2.6	2.7	
		BOR_LEV[2:0]=100 (Falling edge)	2.4	2.5	2.6	
		BOR_LEV[2:0]=101 (Rising edge)	2.7	2.8	2.9	
		BOR_LEV[2:0]=101 (Falling edge)	2.6	2.7	2.8	
		BOR_LEV[2:0]=110 (Rising edge)	2.9	3	3.1	
		BOR_LEV[2:0]=110 (Falling edge)	2.8	2.9	3	
		BOR_LEV[2:0]=111 (Rising edge)	3.1	3.2	3.3	
		BOR_LEV[2:0]=111 (Falling edge)	3	3.1	3.2	

Symbol	Parameter	Conditions	Min	Typ	Max	Unit
V _{BOR_hyst}	BOR hysteresis	-	-	100	-	mV

1. Guaranteed by design, not tested in production.

Table 5-7 PVD module characteristics

Symbol	Parameter	Conditions	Min	Typ	Max	Unit
V _{PVD} ⁽²⁾	PVD threshold	PLS[2:0]=000 (Rising edge)	1.7	1.8	1.9	V
		PLS[2:0]=000 (Falling edge)	1.6	1.7	1.8	
		PLS[2:0]=001 (Rising edge)	1.9	2	2.1	
		PLS[2:0]=001 (Falling edge)	1.8	1.9	2	
		PLS[2:0]=010 (Rising edge)	2.1	2.2	2.3	
		PLS[2:0]=010 (Falling edge)	2	2.1	2.2	
		PLS[2:0]=011 (Rising edge)	2.3	2.4	2.5	
		PLS[2:0]=011 (Falling edge)	2.2	2.3	2.4	
		PLS[2:0]=100 (Rising edge)	2.5	2.6	2.7	
		PLS[2:0]=100 (Falling edge)	2.4	2.5	2.6	
		PLS[2:0]=101 (Rising edge)	2.7	2.8	2.9	
		PLS[2:0]=101 (Falling edge)	2.6	2.7	2.8	
		PLS[2:0]=110 (Rising edge)	2.9	3	3.1	
		PLS[2:0]=110 (Falling edge)	2.8	2.9	3	
		PLS[2:0]=111 (Rising edge)	3.1	3.2	3.3	
PLS[2:0]=111 (Falling edge)	3	3.1	3.2			
V _{PVDhyst} ⁽¹⁾	PVD hysteresis	-	-	100	-	mV

1. Guaranteed by design, not tested in production.

2. Data based on characterization results, not tested in production.

5.3.4. Supply current characteristics

Table 5-8 Current consumption in Run mode

Symbol	Condition						Typ ⁽¹⁾	Max ⁽¹⁾		Unit
	System clock	Frequency	Code	Run	Peripheral clock	Flash sleep		T _A =85 °C	T _A =105 °C	
I _{cc} (Run)	PLL*3	72 MHz	While(1)	Flash	ON	DISABLE	8.4	10.7	14.4	mA
					OFF	DISABLE	4.6	5.3	6.3	
	PLL*2	48 MHz			ON	DISABLE	6.5	8.0	10.3	
					OFF	DISABLE	4.0	4.5	5.5	
	HSI	24 MHz			ON	DISABLE	3.8	4.3	5.3	

Symbol	Condition						Typ ⁽¹⁾	Max ⁽¹⁾		Unit
	System clock	Frequency	Code	Run	Peripheral clock	Flash sleep		T _A =	T _A =	
								85 °C	105 °C	
		16 MHz			OFF	DISABLE	2.6	2.8	3.8	
					ON	DISABLE	2.8	3.8	5.0	
		8 MHz			OFF	DISABLE	1.9	2.7	3.1	
					ON	DISABLE	1.8	2.5	3.1	
		4 MHz			OFF	DISABLE	1.2	2.3	3.0	
					ON	DISABLE	1.0	2.3	3.0	
	LSI	32.768 kHz			OFF	DISABLE	0.9	1.3	3.0	
					ON	DISABLE	0.4	0.6	1.1	
		32.768 kHz			OFF	DISABLE	0.3	0.5	0.9	
					ON	ENABLE	0.3	0.5	0.8	
					OFF	ENABLE	0.2	0.4	0.6	

1. Data based on characterization results, not tested in production.

Table 5-9 Current consumption in Sleep mode

Symbol	Condition				Typ ⁽¹⁾	Max ⁽¹⁾		Unit
	System clock	Frequency	Peripheral clock	Flash sleep		T _A =85 °C	T _A =105 °C	
I _{cc} (Sleep)	PLL*3	72 MHz	ON	DISABLE	6.2	8.2	11.2	mA
			OFF	DISABLE	2.1	2.7	3.8	
	PLL*2	48 MHz	ON	DISABLE	4.6	6.1	7.4	
			OFF	DISABLE	1.8	2.3	3.0	
	HSI	24 MHz	ON	DISABLE	2.1	2.9	3.8	
			OFF	DISABLE	0.9	1.2	1.7	
		16 MHz	ON	DISABLE	1.6	2.3	3.0	
			OFF	DISABLE	0.7	1.0	1.5	
		8 MHz	ON	DISABLE	1.0	2.3	3.0	
			OFF	DISABLE	0.5	0.8	1.3	
		4 MHz	ON	DISABLE	0.7	1.1	1.7	
			OFF	DISABLE	0.5	0.7	1.2	
	LSI	32.768 kHz	ON	DISABLE	0.3	0.6	1.1	
			OFF	DISABLE	0.3	0.5	0.9	
		32.768 kHz	ON	ENABLE	0.3	0.6	0.9	
			OFF	ENABLE	0.2	0.4	0.7	

1. Data based on characterization results, not tested in production.

Table 5-10 Current consumption in Stop mode

Symbol	Conditions					Typ ⁽¹⁾	Max		Unit
	V _{CC}	V _{DDx}	MR/LPR	LSI	Peripheral clock		T _A = 85 °C	T _A = 105 °C	
I _{cc(Stop)}	1.7 ~ 5.5 V	1.2 V	MR	-	-	130	356.7	519.1	μA
		1.2 V	LPR	ON	RTC + IWDG + LPTIM	9.2	212.2	330.5	
					IWDG	9.3	212.1	330.6	
					LPTIM	9.3	211.8	330.0	
					RTC	9.2	211.8	330.2	
				OFF	-	9.0	211.8	330.1	
				ON	RTC + IWDG + LPTIM	7.2	162.1	254.1	
					IWDG	7.3	162.1	254.0	
					LPTIM	7.3	161.8	253.7	
		RTC	7.2		161.8	253.5			
		OFF	-	7.0	161.8	253.6			
		1.0 V	LPR	ON	RTC + IWDG + LPTIM	6.2	124.9	196.0	
					IWDG	6.3	124.9	196.1	
					LPTIM	6.3	124.6	195.5	
					RTC	6.2	124.6	195.6	
				OFF	-	6.0	124.6	195.6	
				ON	RTC + IWDG + LPTIM	5.2	110.8	233.9	
					IWDG	5.3	112.5	248.1	
					LPTIM	5.3	110.6	238.2	
		RTC	5.2		112.0	266.8			
OFF	-	5.0	110.1	267.2					
0.9V	LPR	ON	RTC + IWDG + LPTIM	6.2	124.9	196.0			
			IWDG	6.3	124.9	196.1			
			LPTIM	6.3	124.6	195.5			
			RTC	6.2	124.6	195.6			
		OFF	-	6.0	124.6	195.6			
		ON	RTC + IWDG + LPTIM	5.2	110.8	233.9			
			IWDG	5.3	112.5	248.1			
			LPTIM	5.3	110.6	238.2			
RTC	5.2		112.0	266.8					
OFF	-	5.0	110.1	267.2					
0.8 V	LPR	ON	RTC + IWDG + LPTIM	5.2	110.8	233.9			
			IWDG	5.3	112.5	248.1			
			LPTIM	5.3	110.6	238.2			
			RTC	5.2	112.0	266.8			
		OFF	-	5.0	110.1	267.2			

1. Data based on characterization results, not tested in production.

5.3.5. Wakeup time from low-power mode

Table 5-11 Low-power mode wakeup timings

Symbol	Parameter ⁽¹⁾		Conditions	Typ ⁽²⁾	Max	Unit
t _{WUSLEEP}	Wake-up from Sleep mode		-	7	-	CPU Cycles
t _{WUSTOP}	Wake-up from Stop mode	Regulator in Run mode(VR in MR mode)	Execute program in Flash, HSI (24 MHz) as system clock	3	-	μs
			Execute program in Flash, HSI (8 MHz) as system clock	4.5	-	

Symbol	Parameter ⁽¹⁾		Conditions	Typ ⁽²⁾	Max	Unit
	Regulator in Low power mode (VR in LPR mode)		Execute program in Flash, HSI (24 MHz) as system clock	6	-	
			Execute program in Flash, HSI (8 MHz) as system clock	7	-	

- The wake-up time is measured from the wake-up time until the first instruction is read by the user program.
- Data based on characterization results, not tested in production.

5.3.6. External clock source characteristics

5.3.6.1. High-speed external clock generated from an external source

In bypass mode of HSE (the HSEBYP of RCC_CR is set), when the high-speed start-up circuit in the chip stops working, the corresponding I/O is used as a standard GPIO.

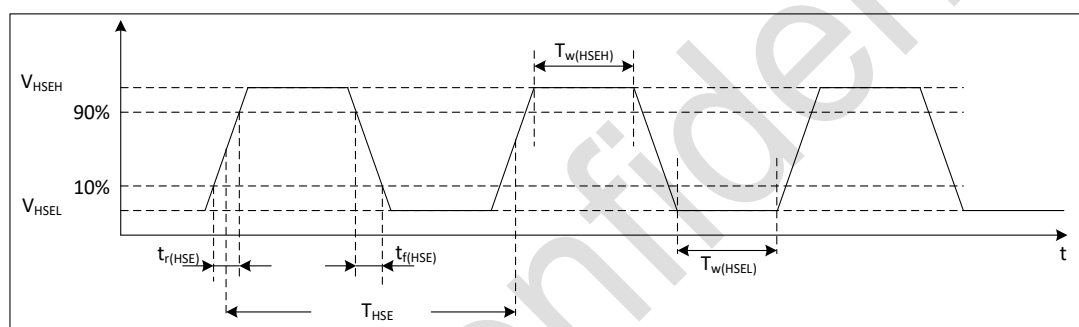


Figure 5-2 High-speed external clock timing diagram

Table 5-12 High-speed external clock characteristics

Symbol	Parameter ⁽¹⁾	Min	Typ	Max	Unit
f_{HSE_ext}	User external clock source frequency	1	8	32	MHz
V_{HSEH}	Input pin high level voltage	$0.7V_{CC}$	-	V_{CC}	V
V_{HSEL}	Input pin low level voltage	V_{SS}	-	$0.3V_{CC}$	
$t_{w(HSEH)}$ $t_{w(HSEL)}$	High or low time	15	-	-	ns
$t_{r(HSE)}$ $t_{f(HSE)}$	Rise or fall time	-	-	20	ns

- Guaranteed by design, not tested in production.

5.3.6.2. Low-speed external clock generated from an external source

In the bypass mode of LSE (the LSEBYP of RCC_BDCR is set), the low-speed start-up circuit in the chip stops working, and the corresponding I/O is used as a standard GPIO.

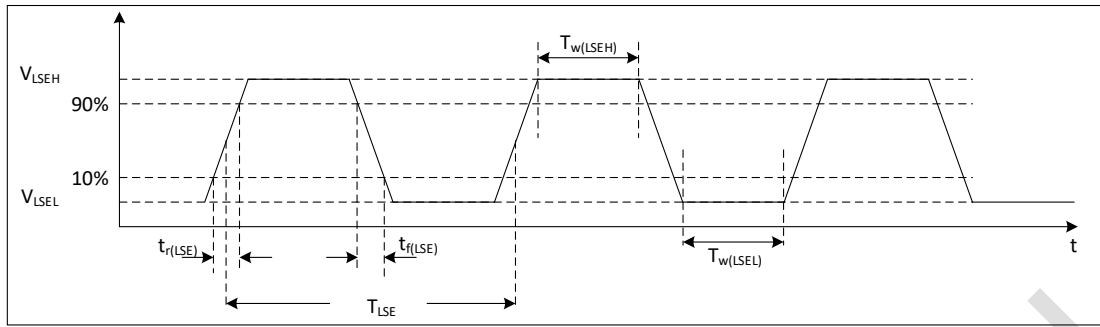


Figure 5-3 Low-speed external clock timing diagram

Table 5-13 Low-speed external clock characteristics

Symbol	Parameter ⁽¹⁾	Min	Typ	Max	Unit
f_{LSE_ext}	User external clock frequency	-	32.768	1000	kHz
V_{LSEH}	Input pin high level voltage	$0.7V_{CC}$	-	-	V
V_{LSEL}	Input pin low level voltage	-	-	$0.3V_{CC}$	V
$t_{w(LSEH)}$ $t_{w(LSEL)}$	High or low time	450	-	-	ns
$t_{r(LSE)}$ $t_{f(LSE)}$	Rise or fall time	-	-	50	ns

1. Guaranteed by design, not tested in production.

5.3.6.3. High-speed external clock generated from a crystal/ceramic resonator

The high-speed external (HSE) clock can be supplied with 4 ~ 32 MHz crystal/ceramic resonator oscillator. In the application, the resonator and the load capacitors have to be placed as close as possible to the oscillator pins in order to minimize output distortion and startup stabilization time.

Table 5-14 HSE oscillator characteristics

Symbol	Parameter	Conditions ⁽¹⁾	Min ⁽²⁾	Typ	Max ⁽²⁾	Unit
f_{OSC_IN}	Oscillator frequency	-	4	-	32	MHz
$I_{CC}^{(4)}$	HSE current consumption	During startup	-	-	5.5	mA
		$V_{CC}=3\text{ V}$, $R_m=80\ \Omega$, $C_L=20\text{ pF}@8\text{ MHz}$ HSE_DRV [1:0] = 01	-	0.45	-	
		$V_{CC}=3\text{ V}$, $R_m=80\ \Omega$, $C_L=20\text{ pF}@16\text{ MHz}$ HSE_DRV [1:0] = 10	-	1.00	-	
		$V_{CC}=3\text{ V}$, $R_m=30\ \Omega$,	-	1.10	-	

Symbol	Parameter	Conditions ⁽¹⁾	Min ⁽²⁾	Typ	Max ⁽²⁾	Unit
		C _L =20 pF@24 MHz HSE_DRV [1:0] = 10				
		V _{CC} =3 V, R _m =30 Ω, C _L =20 pF@24 MHz HSE_DRV [1:0] = 11	-	1.40	-	
		V _{CC} =3 V, R _m =35 Ω, C _L =20 pF@32 MHz HSE_DRV [1:0] = 11	-	1.50	-	
t _{SU(HSE)} ^{(3) (4)}	Startup time	f _{OSC_IN} = 4 MHz, R _m =100 Ω, C _L =12 pF@4MHz HSE_STARTUP [1:0] = 00 HSE_DRV [1:0] = 01	-	1.8	-	ms
		f _{OSC_IN} = 32 MHz, R _m =35 Ω, C _L =20 pF@32 MHz HSE_STARTUP [1:0] = 00 HSE_DRV [1:0] = 11	-	2	-	

- Crystal/ceramic resonator characteristics are based on the manufacturer's datasheet.
- Guaranteed by design, not tested in production.
- t_{SU(HSE)} is the startup time from enable (by software) to when the clock oscillation reaches a stable state, measured for a standard crystal/resonator, which can vary considerably from one crystal/resonator to another.
- Data based on characterization results, not tested in production.

5.3.6.4. Low-speed external clock generated from a crystal resonator

The low-speed external (LSE) clock can be supplied with a 32.768 kHz crystal resonator oscillator. In the application, the resonator and the load capacitors have to be placed as close as possible to the oscillator pins in order to minimize output distortion and startup stabilization time.

Table 5-15 LSE oscillator characteristics

Symbol	Parameter	Conditions ⁽¹⁾	Min ⁽²⁾	Typ	Max ⁽²⁾	Unit
I _{CC} ⁽⁴⁾	LSE current consumption	C _L =6 pF@_32.768 kHz LSE_DRIVER [1:0] = 01	-	0.7	-	μA
		C _L =12 pF@ 32.768 kHz LSE_DRIVER [1:0] = 10	-	1.1	-	
		C _L =12 pF@ 32.768 kHz LSE_DRIVER [1:0] = 11	-	1.3	-	

Symbol	Parameter	Conditions ⁽¹⁾	Min ⁽²⁾	Typ	Max ⁽²⁾	Unit
$t_{SU(LSE)}^{(3)(4)}$	Startup Time	LSE_STARTUP [1:0] = 00	-	3	-	s

- Crystal/ceramic resonator characteristics are based on the manufacturer's datasheet.
- Guaranteed by design, not tested in production.
- $t_{SU(LSE)}$ is the startup time from enable (by software) to when the clock oscillation reaches a stable, measured for a standard crystal/resonator, which may vary greatly from crystal to resonator.
- Data based on characterization results, not tested in production.

5.3.7. High-speed internal (HSI) RC oscillator

Table 5-16 HSI oscillator characteristics

Symbol	Parameter	Conditions	Min	Typ	Max	Unit
f_{HSI}	HSI frequency	-	-	4.0 8.0 16.0 22.12 24.0	-	MHz
$\Delta_{Temp(HSI)}$	HSI frequency drift over temperature	$V_{CC} = 1.7$ to 5.5 V, $T_A = 25$ °C	-1 ⁽²⁾	-	1 ⁽²⁾	%
		$V_{CC} = 1.7$ to 5.5 V, $T_A = 0$ to 85 °C	-2 ⁽²⁾	-	2 ⁽²⁾	
		$V_{CC} = 1.7$ to 5.5 V, $T_A = -40$ to 85 °C	-4 ⁽²⁾	-	2 ⁽²⁾	
		$V_{CC} = 1.7$ to 5.5 V, $T_A = -40$ to 105 °C	-4 ⁽²⁾	-	4 ⁽²⁾	
$D_{HSI}^{(1)}$	Duty cycle	-	45 ⁽¹⁾	-	55 ⁽¹⁾	%
$t_{Stab(HSI)}$	HSI stabilization time	-	-	2	4 ⁽¹⁾	μs
$I_{CC(HSI)}^{(2)}$	HSI power consumption	4 MHz	-	110	-	μA
		8 MHz	-	120	-	
		16 MHz	-	170	-	
		22.12 MHz, 24 MHz	-	210	-	

- Guaranteed by design, not tested in production.
- Data based on characterization results, not tested in production.

5.3.8. Low-speed internal (LSI) RC oscillator

Table 5-17 LSI oscillator characteristics

Symbol	Parameter	Conditions	Min	Typ	Max	Unit
f_{LSI}	LSI frequency	-	-	32.768	-	kHz
$\Delta T_{emp(LSI)}$	LSI frequency drift over temperature	$V_{CC} = 3.3\text{ V}, T_A = 25\text{ }^\circ\text{C}$	-3	-	+3	%
		$V_{CC} = 1.7 \sim 5.5\text{ V}, T_A = 0 \sim 85\text{ }^\circ\text{C}$	-10 ⁽²⁾	-	10 ⁽²⁾	
		$V_{CC}=1.7 \sim 5.5\text{ V}, T_A= 0 \sim 105\text{ }^\circ\text{C}$	- 15 ⁽²⁾	-	15 ⁽²⁾	
		$V_{CC} = 1.7 \sim 5.5\text{ V}, T_A = -40 \sim 105\text{ }^\circ\text{C}$	-20 ⁽²⁾	-	20 ⁽²⁾	
$t_{Stab(LSI)}^{(1)}$	LSI stabilization time	-	-	150	-	μs
$I_{CC(LSI)}^{(1)}$	LSI power consumption	-	-	300	-	nA

1. Guaranteed by design, not tested in production.
2. Data based on characterization results, not tested in production.

5.3.9. Phase locked loop (PLL) characteristics

Table 5-18 PLL characteristics

Symbol	Parameter	Conditions	Min	Typ	Max	Unit
f_{PLL_IN}	PLL Input clock	$T_A = 25\text{ }^\circ\text{C}, V_{CC} = 3.3\text{ V}$ PLL * 2	16 ⁽¹⁾	-	24 ⁽¹⁾	MHz
		$T_A = 25\text{ }^\circ\text{C}, V_{CC} = 3.3\text{ V}$ PLL * 3	22.12 ⁽¹⁾	-	24 ⁽¹⁾	
f_{PLL_OUT}	PLL output clock	$T_A = 25\text{ }^\circ\text{C}, V_{CC} = 3.3\text{ V}$	32 ⁽¹⁾	-	72	MHz
Jitter	Cycle-to-cycle jitter	-	-	-	0.3 ⁽¹⁾	ns
t_{LOCK}	PLL lock time	$f_{PLL_IN} = 24\text{ MHz}$	-	15	40 ⁽¹⁾	μs

1. Guaranteed by design, not tested in production.

5.3.10. Memory characteristics

Table 5-19 Memory characteristics

Symbol	Parameter	Conditions	Typ	Max ⁽¹⁾	Unit
t_{prog}	Page programming time	-	1.0	1.5	ms
t_{ERASE}	Page/sector/mass erase time	-	3.0	4.5	ms
I_{CC}	Page programming supply current	-	2.1	2.9	mA
	Page/sector/mass erase supply current	-	2.1	2.9	mA

1. Guaranteed by design, not tested in production.

Table 5-20 Memory endurance and data retention

Symbol	Parameter	Conditions	Min ⁽¹⁾	Unit
N _{END}	Endurance	T _A = -40 ~ 85 °C	100	kcycle
		T _A = 85 ~ 105 °C	10	
t _{RET}	Data retention	10 kcycle T _A = 55 °C	20	Year

1. Data based on assessment results, not tested in production.

5.3.11. EFT characteristics

Table 5-21 EFT characteristics⁽¹⁾

Symbol	Parameter	Conditions	Level/Class
EFT to Power	-	IEC61000-4-4	4A

1. Data based on characterization results, not tested in production.

5.3.12. ESD & LU characteristics

Table 5-22 ESD & LU characteristics⁽¹⁾

Symbol	Parameter	Conditions	Typ	Unit
V _{ESD(HBM)}	Electrostatic discharge voltage(human body model)	ESDA/JEDEC JS-001-2017	6	kV
V _{ESD(CDM)}	Electrostatic discharge voltage (charge device model)	ESDA/JEDEC JS-002-2018	1	kV
LU	Static latch-up	JESD78E	200	mA

1. Data based on characterization results, not tested in production.

5.3.13. I/O port characteristics

Table 5-23 I/O static characteristics

Symbol	Parameter	Conditions	Min	Typ	Max	Unit
V _{IH}	High level input voltage	V _{CC} = 1.7 to 5.5 V	0.7V _{CC}	-	-	V
V _{IL}	Low level input voltage	V _{CC} = 1.7 to 5.5 V	-	-	0.3V _{CC}	V
V _{hys} ⁽¹⁾	Schmitt trigger hysteresis	-	-	200	-	mV
I _{lkg}	Input leakage current	-	-	-	1	μA
R _{PU}	Weak pull-up equivalent resistor	-	30	50	70	kΩ
R _{PD}	Weak pull-down equivalent resistor	-	30	50	70	kΩ
C _{IO} ⁽¹⁾	Pin capacitance	-	-	5	-	pF
t _{ns(EXTI)} ⁽¹⁾	Input filter width	ENI=1, ENS=1	3	5	10	ns

Symbol	Parameter	Conditions	Min	Typ	Max	Unit
$t_{ns(I2C)}^{(1)}$	I ² C Input filter width	ENI=1, EIIC=1	50	140	250	ns

1. Guaranteed by design, not tested in production.

Table 5-24 Output voltage characteristics⁽³⁾

Symbol	Parameters ⁽¹⁾	Conditions	Min	Max	Unit	
$V_{OL}^{(2)}$	Output low level voltage for an I/O pin	GPIOX_OSPEEDR=11	$I_{OL} = 8 \text{ mA}, V_{CC} \geq 2.7 \text{ V}$	-	0.4	V
			$I_{OL} = 4 \text{ mA}, V_{CC} = 1.8 \text{ V}$	-	0.5	
$V_{OH}^{(2)}$	Output high level voltage for an I/O pin	GPIOX_OSPEEDR=11	$I_{OH} = 8 \text{ mA}, V_{CC} \geq 2.7 \text{ V}$	$V_{CC} - 0.4$	-	V
			$I_{OH} = 4 \text{ mA}, V_{CC} = 1.8 \text{ V}$	$V_{CC} - 0.5$	-	

1. IO types can refer to the terms and symbols defined by the pins.
2. Data based on characterization results, not tested in production.
3. The I_{IO} current sourced or sunk by the device must always respect the absolute maximum rating specified in [Table 5-2 Current characteristics](#), and the sum of the currents sourced or sunk by all the I/Os (I/O ports and control pins) must always respect the absolute maximum ratings ΣI_{IO} .

5.3.14. ADC characteristics

Table 5-25 ADC characteristics⁽¹⁾

Symbol	Parameter	Conditions	Min	Typ	Max	Unit
V_{CCA}	Analog supply voltage for ADC ON	-	2.0	-	5.5	V
V_{REF+}	Positive reference voltage	$V_{REF+} = V_{CCA}$	V_{CCA}			V
		$V_{REF+} = V_{REFBUF}$	-	2.14	-	
V_{REF-}	Negative reference voltage	-	0			V
I_{VCCA}	ADC consumption from V_{CCA}	$f_s = 1 \text{ Msps}$	-	350	-	μA
I_{VREF+}	ADC consumption from V_{REF+}	$f_s = 1 \text{ Msps}$	-	22	-	μA
$C_{ADC}^{(1)}$	Internal sample and hold capacitors	-	-	5	8	pF
$R_{AIN}^{(1) (3)}$	External input impedance	-	-	-	31	k Ω
$R_{ADC}^{(1)}$	Sampling switch resistance	-	-	-	2.5	k Ω
f_{ADC}	ADC clock frequency	$V_{CCA} = 2.0 \sim 2.3 \text{ V}$	0.8	4	8 ⁽²⁾	MHz
		$V_{CCA} = 2.3 \sim 5.5 \text{ V}$	0.8	8	16 ⁽²⁾	
f_s	Sampling rate	$V_{CCA} = 2.0 \sim 2.3 \text{ V}$	0.05	-	0.5	Msps
		$V_{CCA} = 2.3 \sim 5.5 \text{ V}$	0.05	-	1	
$t_{CAL}^{(1)}$	Calibration time	$f_{ADC} = 16 \text{ MHz}$	4.375	-	7.4375	μs
			70	-	119	$1/f_{ADC}$
$t_{samp}^{(1)}$			0.219	-	14.97	μs

Symbol	Parameter	Conditions	Min	Typ	Max	Unit
	Sampling time	$f_{ADC}=16$ MHz $V_{CCA}=2.0 \sim 5.5$ V	3.5	-	239.5	$1/f_{ADC}$
$t_{smp_int}^{(1)}$	Sampling time for internal channels (V_{REFINT} , T_{S_VIN} , $V_{CCA}/3$, OPA 1~2)	-	20	-	-	μ s
$t_{conv}^{(1)}$	Total conversion time	$V_{CCA}=2.0 \sim 5.5$ V	12	-	248	$1/f_{ADC}$
$t_{eoc}^{(1)}$	Conversion end time	$V_{CCA}=2.0 \sim 5.5$ V	0.5			$1/f_{ADC}$

1. Guaranteed by design, not tested in production.
2. Data based on characterization results, not tested in production.
3. Equation 1: R_{AIN} max formula

$$R_{AIN} < \frac{T_S}{f_{ADC} \times C_{ADC} \times \ln(2^{N+2})} - R_{ADC}$$

The formula above (*Equation 1*) is used to determine the maximum external impedance allowed for an error below 1/4 of LSB. Here $N = 12$ (from 12-bit resolution).

Table 5-26 R_{AIN} max for $f_{ADC}=16$ MHz⁽¹⁾

Ts (cycles)	ts (μ s)	R_{AIN} max (k Ω)
3.5	0.21	0.3
5.5	0.34	1.9
7.5	0.46	3.5
13.5	0.84	8.3
28.5	1.78	20.4
41.5	2.59	30.9
134.5	8.41	-
239.5	14.96	-

1. Guaranteed by design, not tested in production.

Table 5-27 ADC accuracy⁽¹⁾⁽²⁾

Symbol	Parameter	Conditions	Typ	Max	Unit
ET	Total unadjusted error	$f_{ADC} = 16$ MHz, $V_{CCA} = 2.0$ V to 5.5 V	± 6.5	± 10.0	LSB
EO	Offset error		± 1.3	± 3.0	LSB
EG	Gain error		± 2.6	± 5.0	LSB
DNL	Differential linearity error		± 1.2	± 1.5	LSB
INL	Integral linearity error		± 3.5	± 6.5	LSB

1. ADC DC accuracy values are measured after internal calibration.
2. Data based on characterization results, not tested in production.

5.3.15. Comparator characteristics

Table 5-28 Comparator characteristics⁽¹⁾

Symbol	Parameter	Conditions	Min	Typ	Max	Unit	
V_{IN}	Input voltage range	-	0	-	V_{CCA}	V	
V_{SC}	Scaler offset voltage	-	-	± 5	± 10	mV	
$I_{CCA(SCALER)}$	Scaler static consumption	-	-	0.8	1	μA	
t_{START_SCALER}	Scaler startup time	-	-	100	200	μs	
t_{START}	Startup time	High-speed mode	-	-	5	μs	
		Medium-speed mode	-	-	15		
t_D	Propagation delay	200 mV step, 100 mV over-drive	High-speed mode	-	50	150	ns
			Medium-speed mode	-	1500	2800	
		>200 mV step, 100 mV over-drive	High-speed mode	-	-	200	
			Medium-speed mode	-	-	2900	
V_{offset}	Offset error	-	-	± 5	± 10	mV	
V_{hys}	Hysteresis voltage	No hysteresis	-	0	-	mV	
		With hysteresis	-	20	-		
I_{CCA}	Consumption	Static	High-speed mode	-	250	-	μA
			Medium-speed mode	-	7	-	
		With 50 kHz and \pm 100 mv overdrive square signal	High-speed mode	-	250	-	
			Medium-speed mode	-	8	-	

1. Guaranteed by design, not tested in production.

5.3.16. Operational amplifier characteristics

Table 5-29 OPA characteristics

Symbol	Parameter	Conditions	Min	Typ	Max	Unit
V_{CCA}	Analog supply voltage		2.2	-	5.5	V
V_{IN}	Input voltage	-	0	-	V_{CCA}	V
V_{OUT}	Output voltage	-	0.1	-	$V_{CCA} - 0.2$	V
I_{LOAD}	Drive current	-	-	-	2.2	mA
R_L	Resister load	-	5	-	-	k Ω
t_{start}	Initialization time	$C_{LOAD} \leq 50$ pF, $R_{LOAD} \geq 5$ k Ω	-	-	20	μ s
V_{IO}	Input offset voltage	$C_{LOAD} \leq 50$ pF, $R_{LOAD} \geq 5$ k Ω $V_{com}=V_{CCA}/2$	--	± 6	-	mV
PM	Phase margin	$C_{LOAD} \leq 50$ pF, $R_{LOAD} \geq 5$ k Ω $V_{com}=V_{CCA}/2$	-	80	-	Deg
UGBW	Unit Gain Bandwidth	$C_{LOAD} \leq 50$ pF, $R_{LOAD} \geq 5$ k Ω $V_{com}=V_{CCA}/2$	-	10	-	MHz
SR	Slew rate	-	-	7	-	V/ μ s

5.3.17. Temperature sensor characteristics

Table 5-30 Temperature sensor characteristics

Symbol	Parameter	Min	Typ	Max	Unit
$T_L^{(1)}$	V_{TS} linearity with temperature	-	± 1	± 2	$^{\circ}$ C
Avg_Slope ⁽¹⁾	Average slope	2.3	2.5	2.7	mV/ $^{\circ}$ C
V_{30}	Voltage at 30 $^{\circ}$ C (± 5 $^{\circ}$ C)	0.742	0.76	0.785	V
$t_{START}^{(1)}$	Start up time entering in continuous mode	-	70	120	μ s
$t_{s_setup}^{(1)}$	ADC sampling time when reading the temperature	20	-	-	μ s

1. Guaranteed by design, not tested in production.

5.3.18. LCD Controller Characteristics

Table 5-31 LCD Controller Characteristics

Symbol	Parameter	Conditions	Min	Typ	Max	Unit
$I_{LCD}^{(1)(3)}$	LCD supply current	External drive resistive mode	-	0.6	-	μA
		Internal low drive resistive mode	-	4	-	
		Internal middle drive resistive mode	-	7.5	-	
		Internal high drive resistive mode	-	10	-	
$R_H^{(2)}$	Low drive resistive	-	-	1080	-	k Ω
$R_M^{(2)}$	Middle drive resistive	-	-	540	-	
$R_L^{(2)}$	High drive resistive	-	-	360	-	
V_{LCDH}	LCD adjustable highest level voltage	-	-	V_{CCA}	-	V
V_{LCD3}	LCD highest level voltage	-	-	V_{LCDH}	-	
V_{LCD2}	LCD 2/3 level voltage	-	-	$2/3 V_{LCDH}$	-	
V_{LCD1}	LCD 1/3 level voltage	-	-	$1/3 V_{LCDH}$	-	
V_{LCD0}	LCD lowest level voltage	-	-	V_{SS}	-	
$\Delta V_{LCD}^{(3)}$	LCD segment/common level voltage error	$T_A = -40 \sim 105 \text{ }^\circ C$	-	-	± 50	mV

1. LCD enabled with $V_{CCA}=3.3 \text{ V}$, 1/4 duty, 1/3 bias, scan frequency 256 Hz, all pixels active, no LCD connected.
2. Guaranteed by design, not tested in production.
3. Data based on assessment results, not tested in production.

5.3.19. Embedded voltage reference characteristics

Table 5-32 Embedded internal voltage reference (V_{REFBUF}) characteristics

Symbol	Parameter	Conditions	Min	Typ	Max	Unit
V_{REFINT}	Internal reference voltage	-	1.17	1.2	1.23	V
$t_{start_VREFINT}$	Start time of V_{REFINT}	-	-	10	15	μs
$T_{coeff_VREFINT}$	Temperature coefficient of V_{REFINT}	-	-	-	100 ⁽¹⁾	ppm/ $^\circ C$
I_{VCC}	Current consumption from V_{CC}	-	-	12	20	μA

1. Guaranteed by design, not tested in production.

5.3.20. ADC voltage reference buffer characteristics

Table 5-33 ADC voltage reference buffer (V_{REFBUF}) characteristics⁽¹⁾

Symbol	Parameter	Conditions	Min	Typ	Max	Unit
$V_{REFBUF26}$	2.66 V Internal reference voltage	$T_A=25\text{ }^\circ\text{C}$, $V_{CCA}=3.3\text{ V}$	2.63	2.66	2.69	V
$V_{REFBUF21}$	2.14 V Internal reference voltage	$T_A=25\text{ }^\circ\text{C}$, $V_{CCA}=3.3\text{ V}$	2.12	2.14	2.16	V
$t_{start_VREFBUF}$	Start time of V_{REFBUF}	-	-	-	2	μs
$T_{coeff_VREFBUF}$	Current consumption from V_{REFBUF}	$T_A=-40\text{ }^\circ\text{C} \sim 105\text{ }^\circ\text{C}$	-	-	120	ppm/ $^\circ\text{C}$

1. Guaranteed by design, not tested in production.

5.3.21. Timer characteristics

Table 5-34 Timer characteristics

Symbol	Parameter	Conditions	Min	Max	Unit
$t_{res(TIM)}$	Timer resolution time	-	1	-	$t_{TIMxCLK}$
		$f_{TIMxCLK} = 72\text{ MHz}$	13.889	-	ns
f_{EXT}	Timer external clock frequency on CH1 to CH4	-	-	$f_{TIMxCLK}/2$	MHz
		$f_{TIMxCLK} = 72\text{ MHz}$	-	24	
Res_{TIM}	Timer resolution	TIM1/3/14/15/16/17	-	16	bit
$t_{COUNTER}$	16-bit counter clock period	-	1	65536	$t_{TIMxCLK}$
		$f_{TIMxCLK} = 72\text{ MHz}$	0.013889	913	μs

Table 5-35 LPTIM characteristics (timeout period at 32.768 kHz LSI)

Prescaler	PRESC[2:0]	Min overflow	Max overflow	Unit
/1	0	0.0305	1998.848	ms
/2	1	0.0610	3997.696	
/4	2	0.1221	8001.9456	
/8	3	0.2441	15997.3376	
/16	4	0.4883	32001.2288	
/32	5	0.9766	64002.4576	
/64	6	1.9531	127998.3616	
/128	7	3.9063	256003.2768	

Table 5-36 IWDG characteristics (timeout period at 32.768 kHz LSI)

Prescaler	PR[2:0]	Min overflow	Max overflow	Unit
/4	0	0.122	499.712	ms
/8	1	0.244	999.424	
/16	2	0.488	1998.848	
/32	3	0.976	3997.696	
/64	4	1.952	7995.392	
/128	5	3.904	15990.784	
/256	6 or 7	7.808	31981.568	

Table 5-37 WWDG characteristics (timeout period at 48 MHz PCLK)

Prescaler	WDGTB[1:0]	Min overflow	Max overflow	Unit
1*4096	0	0.085	5.461	ms
2*4096	1	0.171	10.923	
4*4096	2	0.341	21.845	
8*4096	3	0.683	43.691	

5.3.22. Communication interfaces

5.3.22.1. I²C interface characteristics

The I²C interface meets the timing requirements of the I²C-bus specification and user manual:

- Standard-mode (Sm): up to 100 kbit/s
- Fast-mode (Fm): up to 400 kbit/s

I²C SDA and SCL pins have analogue filtering, see table below.

Table 5-38 I²C filter characteristics

Symbol	Parameter	Min	Max	Unit
t _{AF}	Maximum width of spikes that are suppressed by the analog filter	50	260	ns

5.3.22.2. SPI characteristics

Table 5-39 SPI characteristics

Symbol	Parameter	Conditions	Min	Max	Unit
f_{SCK}	SPI clock frequency	Master mode	-	24	MHz
$1/t_{c(SCK)}$		Slave mode	-	18	
$t_{r(SCK)}$ $t_{f(SCK)}$	SPI clock rise and fall time	Capacitive load: C = 15 pF	-	6	ns
$t_{su(NSS)}$	NSS setup time	Slave mode	$2 T_{pclk}$	-	ns
$t_{h(NSS)}$	NSS hold time	Slave mode	$2 T_{pclk}$	-	ns
$t_{w(SCKH)}$ $t_{w(SCKL)}$	SCK high and low time	Master mode, presc = 2	$T_{pclk} - 2$	$T_{pclk} + 1$	ns
$t_{su(MI)}$ $t_{su(SI)}$	Data input setup time	Master mode	1	-	ns
		Slave mode	3	-	
$t_{h(MI)}$ $t_{h(SI)}$	Data input hold time	Master mode	5	-	ns
		Slave mode	2	-	
$t_{a(SO)}$	Data output access time	Slave mode	0	$3 T_{pclk}$	ns
$t_{dis(SO)}$	Data output disable time	Slave mode	$2 T_{pclk}$	-	ns
$t_{v(SO)}$	Data output valid time	Slave mode(after enable edge)	0	20	ns
$t_{v(MO)}$	Data output valid time	Master mode(after enable edge)	-	5	ns
$t_{h(SO)}$ $t_{h(MO)}$	Data output hold time	Slave mode(after enable edge)	2	-	ns
		Master mode(after enable edge)	1	-	
DuCy(SCK)	SPI slave input clock duty cycle	Slave mode	45	55	%

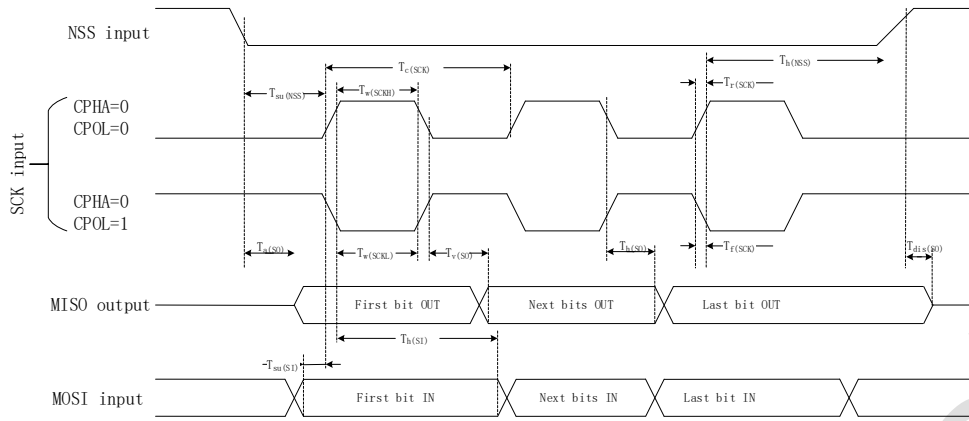


Figure 5-4 SPI timing diagram – Slave mode and CPHA=0

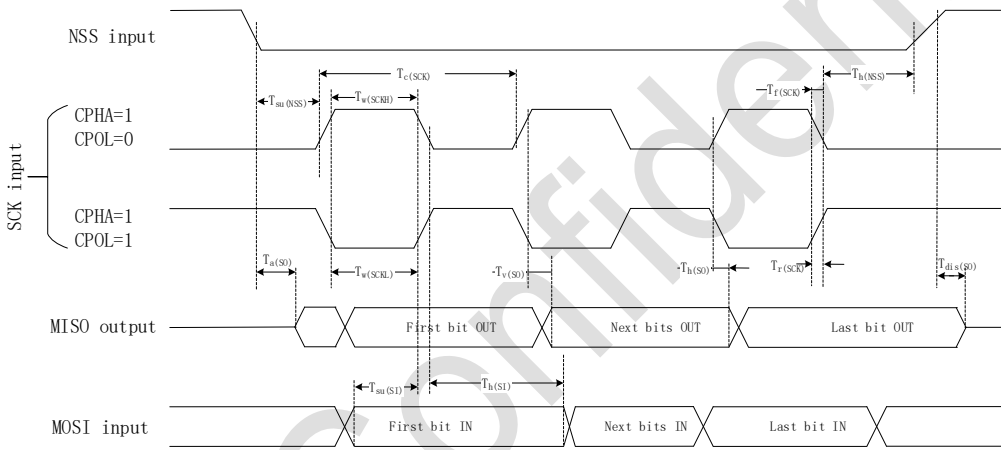


Figure 5-5 SPI timing diagram – Slave mode and CPHA=1

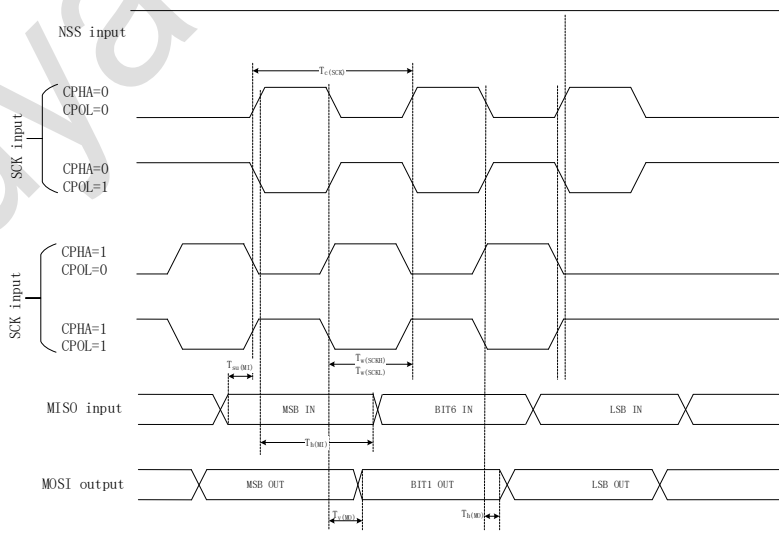


Figure 5-6 SPI timing diagram – Master mode

5.3.22.3. I²S characteristics

Symbol	Parameter	Conditions	Min	Max	Unit
f _{CK}	I ² S clock frequency	Master mode(data: 16 bits, audio frequency=48 kHz)	1.597	1.601	MHz
		Slave mode	0	7	
t _{r(ck)}	I ² S clock rise time	Capacitive load: C _L = 15 pF	-	5	ns
t _{f(ck)}	I ² S clock fall time	Capacitive load: C _L = 15 pF	-	6	
t _{w(CKH)}	I ² S clock high time	Master f _{PCLK} = 16 MHz, audio frequency = 48 kHz	306	-	
t _{w(CKL)}	I ² S clock low time	Master f _{PCLK} = 16 MHz, audio frequency = 48 kHz	312	-	
t _{v(WS)}	WS valid time	Master mode	2	-	
t _{h(WS)}	WS hold time	Master mode	2	-	
t _{su(WS)}	WS setup time	Slave mode	7	-	
t _{h(WS)}	WS hold time	Slave mode	1	-	
t _{su(SD_MR)}	Data input setup time	Master mode	11.5	-	
t _{su(SD_SR)}		Slave mode	2	-	
t _{h(SD_MR)}	Data input hold time	Master mode	0	-	
t _{h(SD_SR)}		Slave mode	0	-	
t _{v(SD_MT)}	Data output valid time	Master mode	-	17	
t _{v(SD_ST)}		Slave mode	-	9	
t _{h(SD_MT)}	Data output hold time	Master mode	4	-	
t _{h(SD_ST)}		Slave mode	6	-	
DuCy(sck)	I ² S slave input clock duty cycle	Slave mode	45	55	%

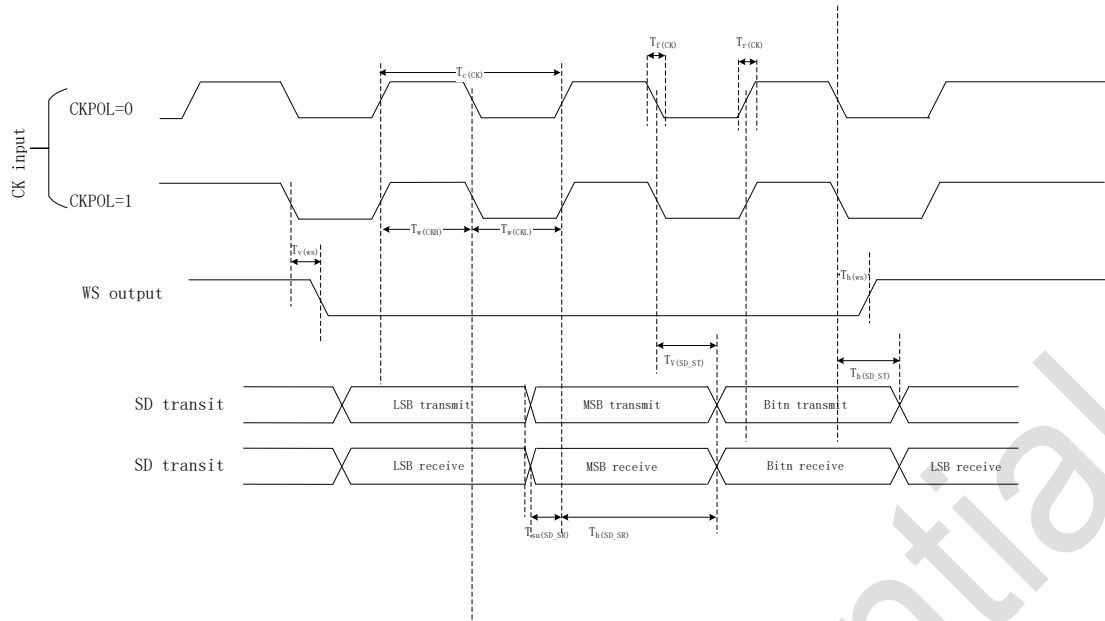


Figure 5-7 I²S timing diagram – Master mode(Philips protocol)

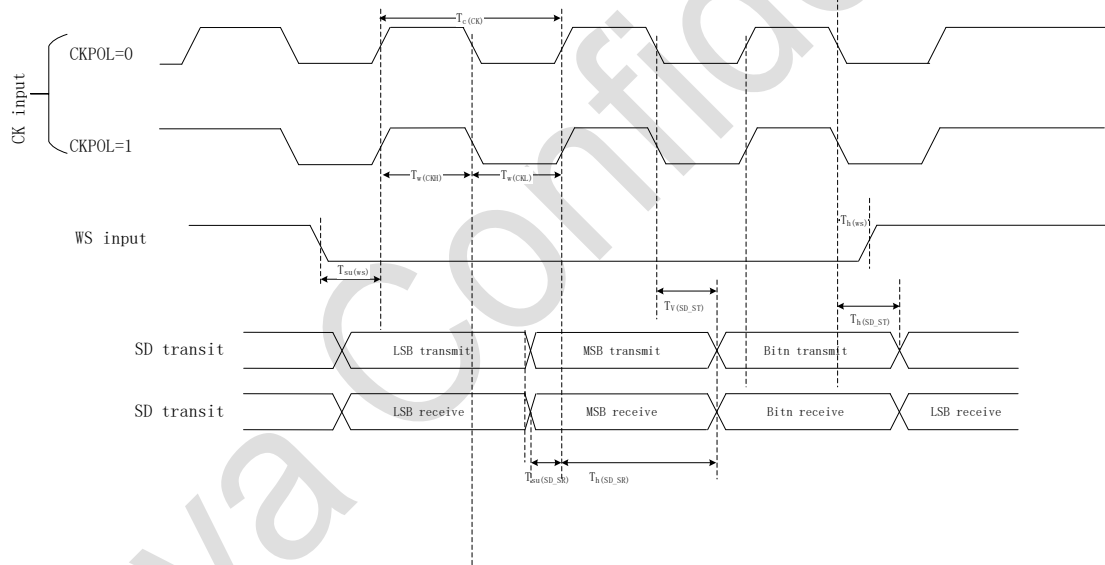
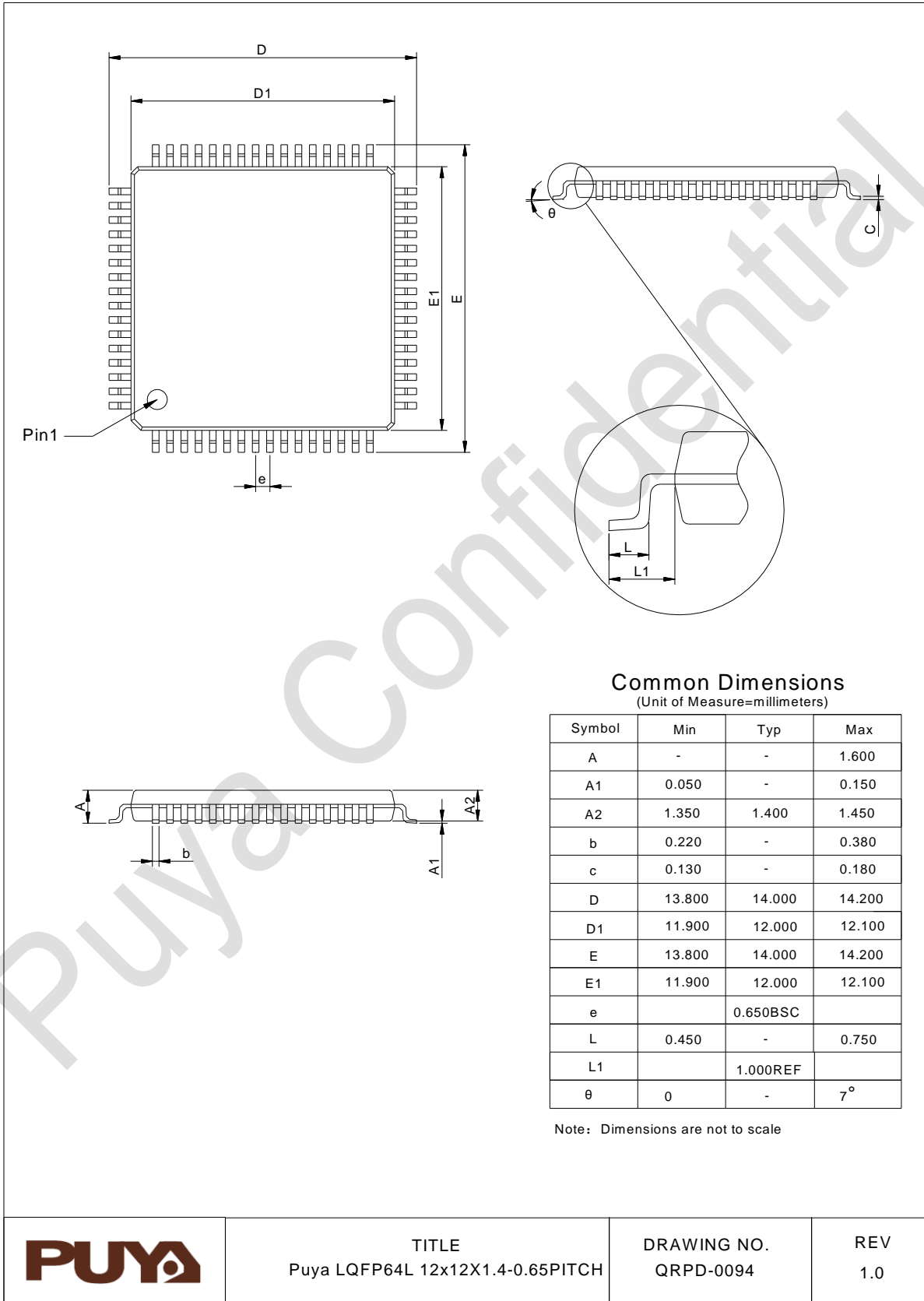


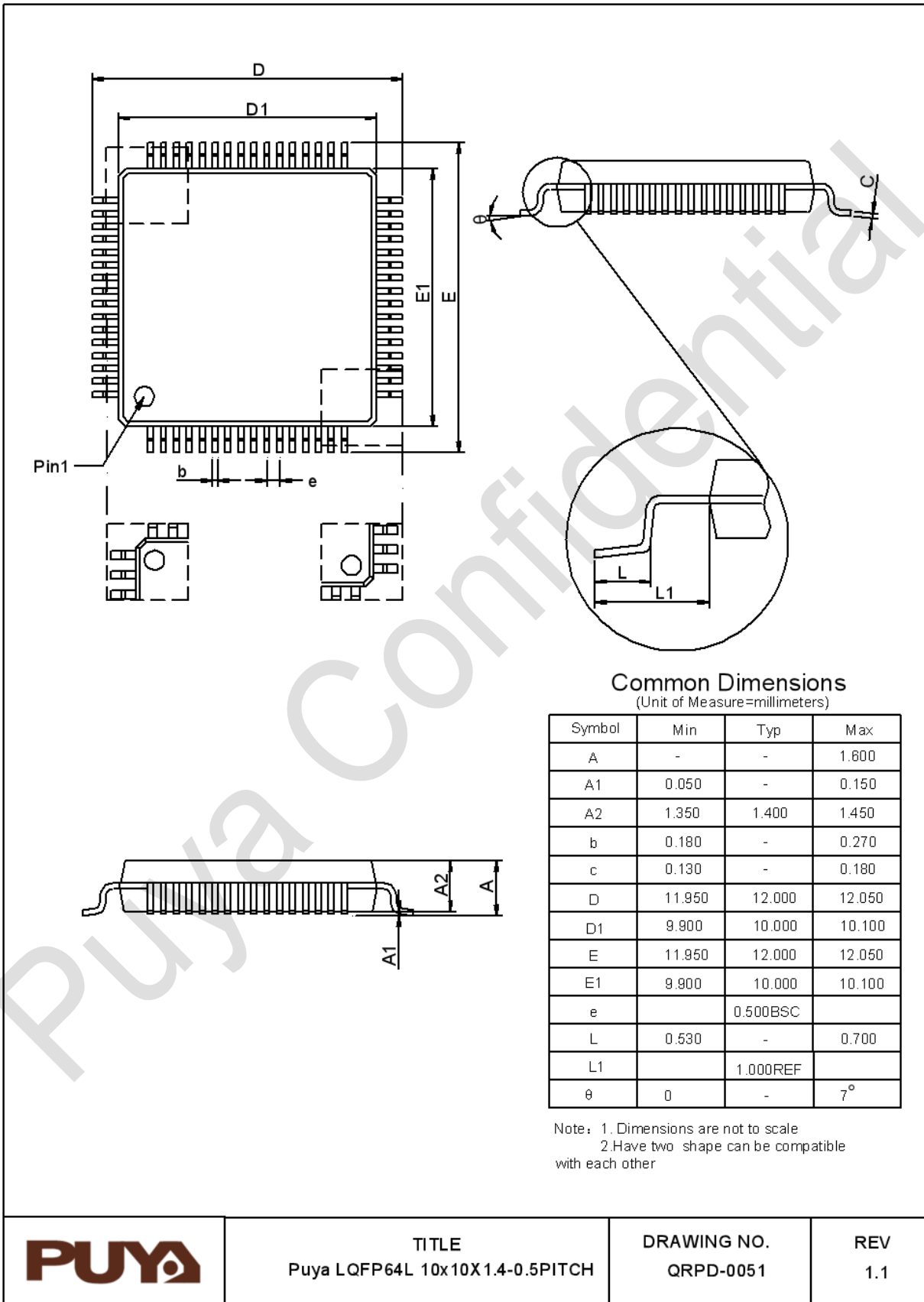
Figure 5-8 I²S timing diagram – Slave mode(Philips protocol)

6. Package information

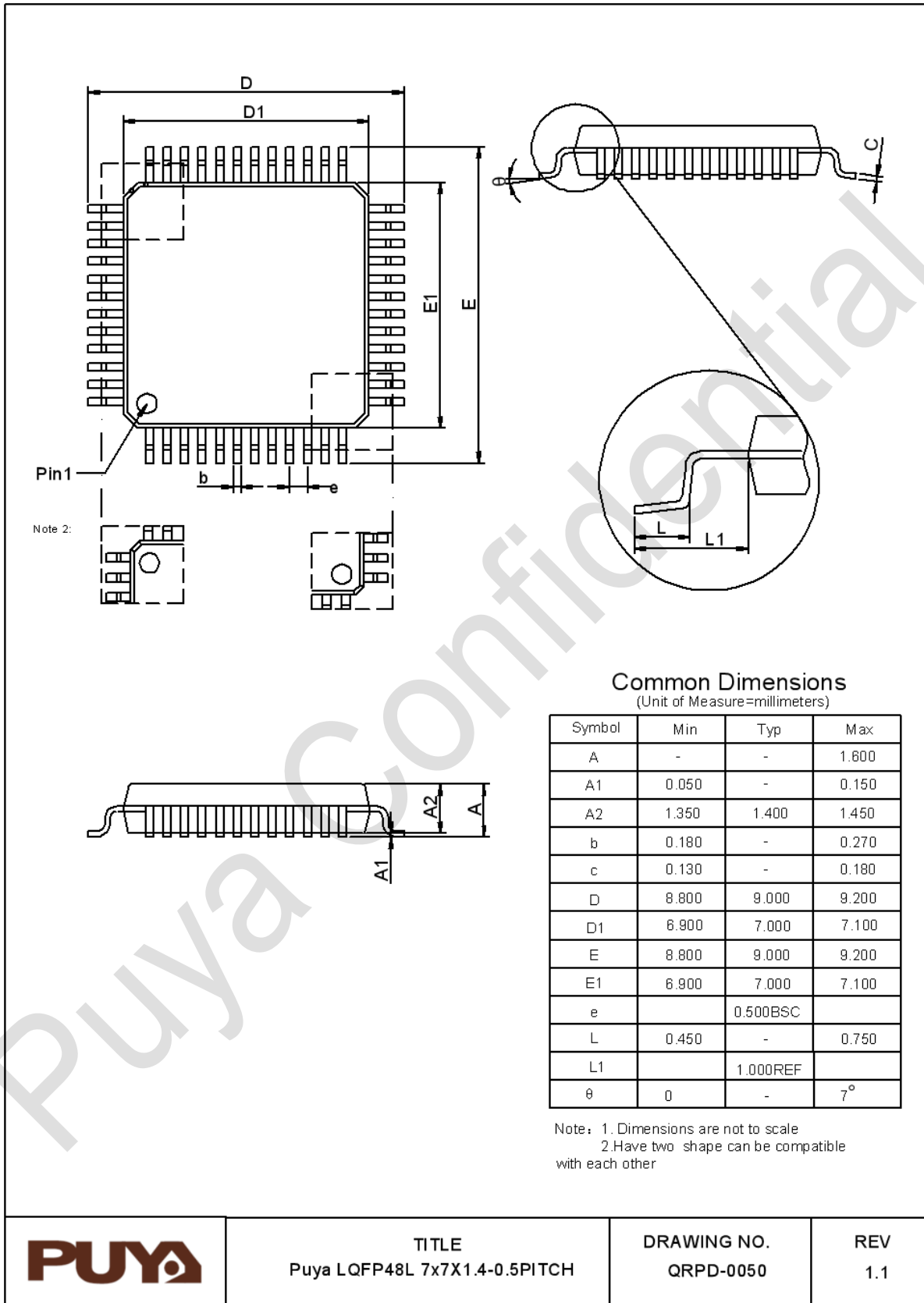
6.1. LQFP64 (12*12) package size



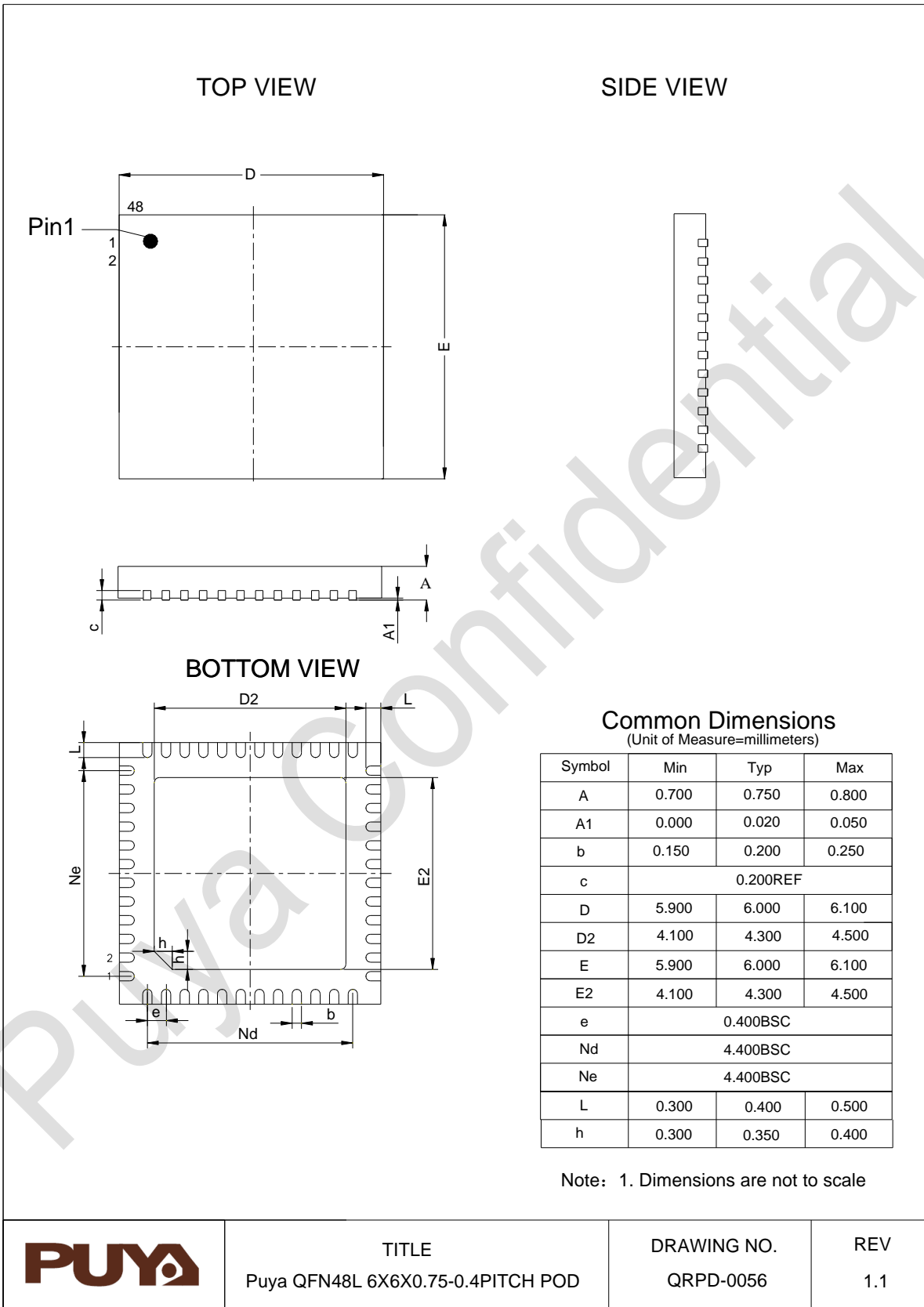
6.2. LQFP64 (10*10) package size



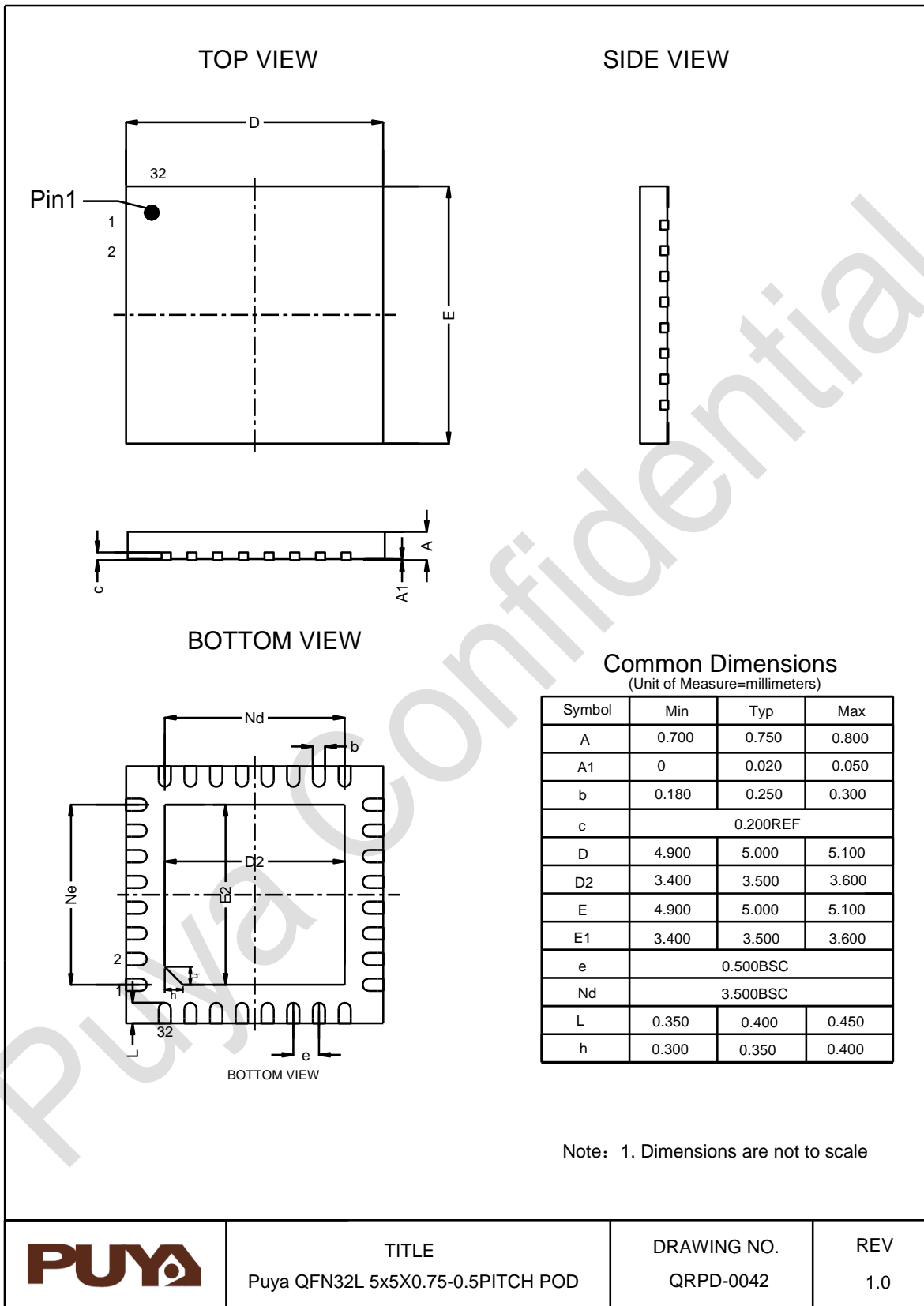
6.3. LQFP48 package size



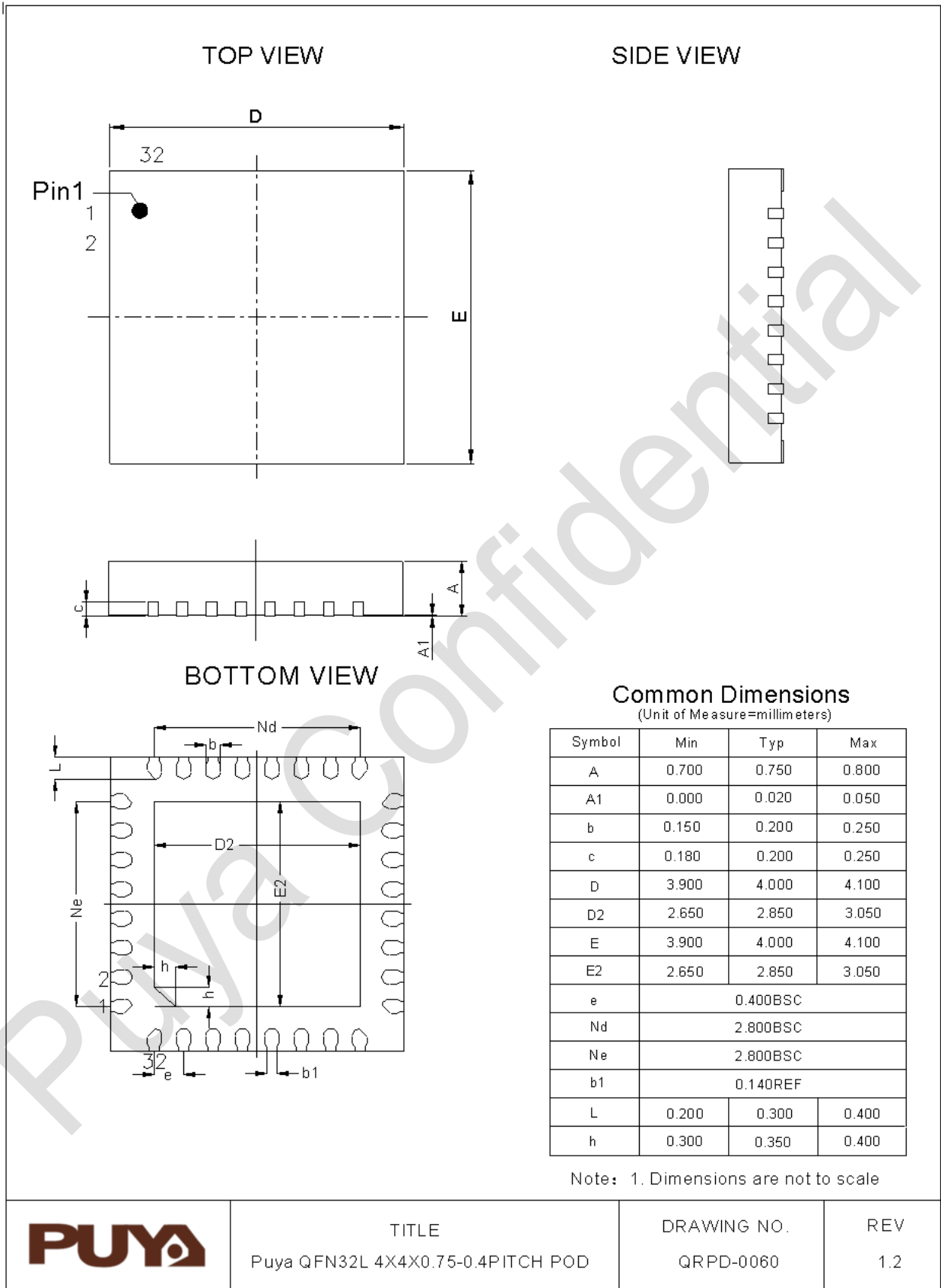
6.4. QFN48 package size



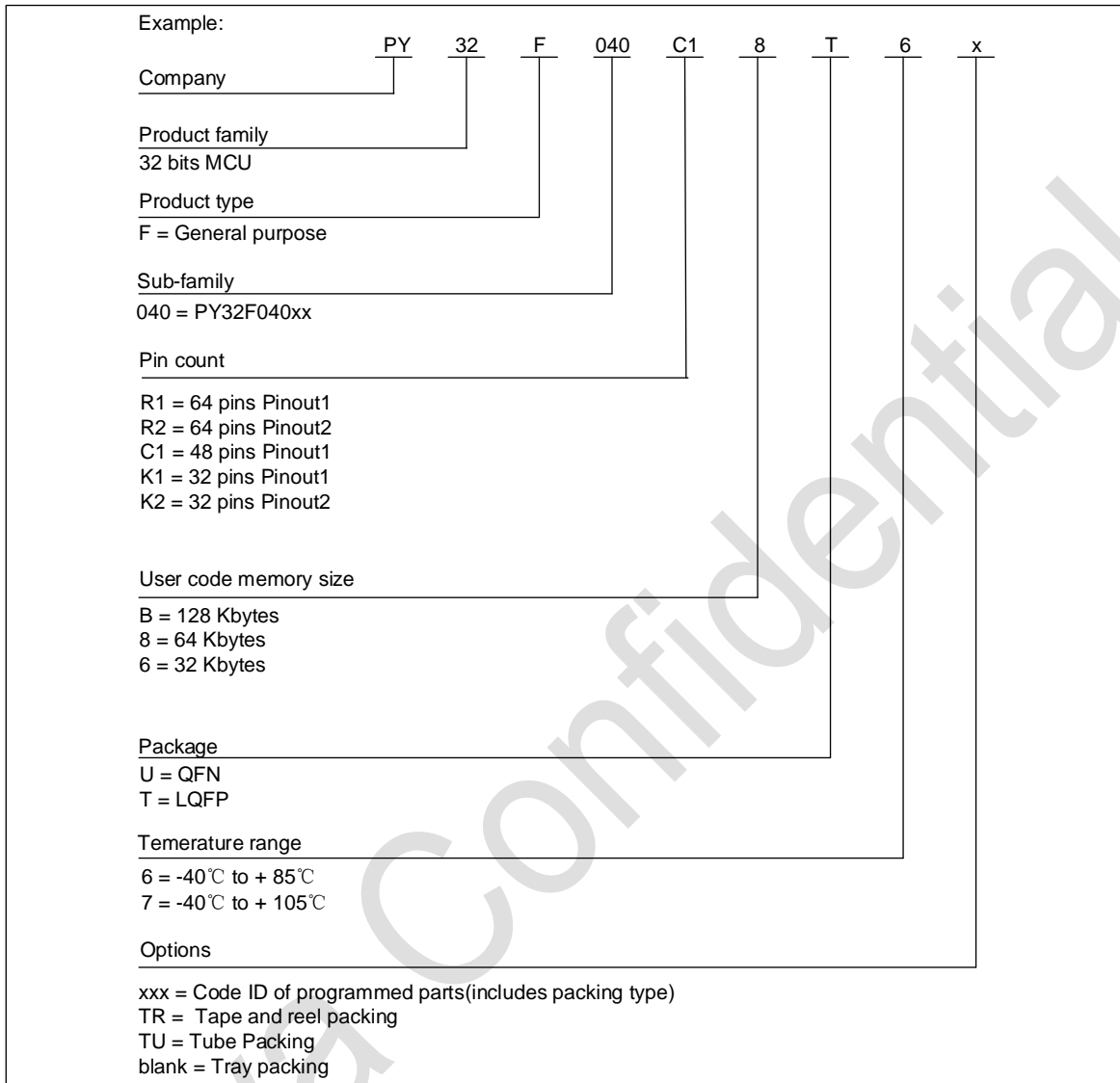
6.5. QFN32 (5*5) package size



6.6. QFN32 (4*4) package size



7. Ordering information



8. Version history

Version	Date	Updated record
V1.0	2024.12.26	1. Initial version
V1.1	2025.04.22	1. Update Table 5-30 Temperature sensor characteristics. 2. Update LQFP64 (12*12), LQFP64 (10*10), QFN32(4*4) package size



Puya Semiconductor Co., Ltd.

IMPORTANT NOTICE

Puya reserve the right to make changes, corrections, enhancements, modifications to Puya products and/or to this document at any time without notice. Purchasers should obtain the latest relevant information of Puya products before placing orders.

Puya products are sold pursuant to terms and conditions of sale in place at the time of order acknowledgement.

Purchasers are solely responsible for the choice and use of Puya products. Puya does not provide service support and assumes no responsibility when products that are used on its own or designated third party products.

Puya hereby disclaims any license to any intellectual property rights, express or implied.

Resale of Puya products with provisions inconsistent with the information set forth herein shall void any warranty granted by Puya.

Any with Puya or Puya logo are trademarks of Puya. All other product or service names are the property of their respective owners.

The information in this document supersedes and replaces the information in the previous version.

Puya Semiconductor Co., Ltd. – All rights reserved